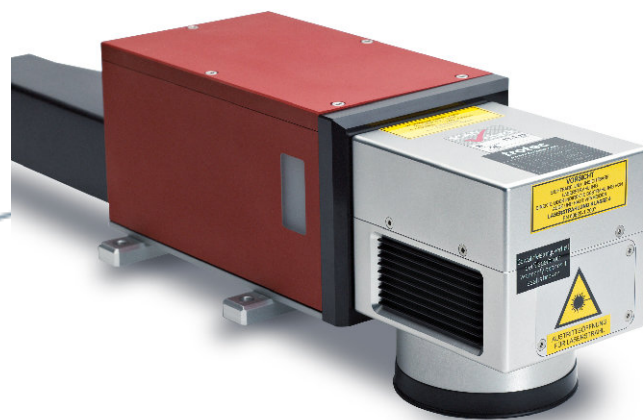


**trotec**

# SpeedMarker 50 fiber

Operating manual



**8019**

OM 8019\_3.0\_EN (05/2023)  
ENGLISH (Translation)

/ SETTING NEW STANDARDS

(AT)

**Trotec Laser GmbH**

☎ +43 7242 239-7070  
service-at@troteclaser.com

(CA)

**Trotec Laser Canada**

☎ +1 800 663 1149-902  
techsupport@troteclaser.ca

(DE)

**Trotec Laser Deutschland GmbH**

☎ +49 89 322 99 65-13  
service-de@troteclaser.com

(GB)

**Trotec Laser UK**

☎ +44 0191 4188 110  
service-uk@troteclaser.com

(MX)

**High Speed Laser Systems S. de R.L. de C.V.**

☎ +52 55 5351-7252  
mexico@troteclaser.com

(US)

**Trotec Laser Inc.**

☎ +1 866 226 8505, Option 2  
support@troteclaser.com

(AU)

**Trotec Laser Pty Ltd**

☎ +61 26413-5904  
service@troteclaser.com.au

(CH)

**Trotec Laser AG**

☎ +41 32387-1611  
service-ch@troteclaser.com  
suisse@troteclaser.com

(ES)

**Trotec Laser España**

☎ +34 93 102 50 50  
soporte@troteclaser.com

(IT)

**Trotec Laser Srl**

☎ +39 02 9475 5447  
supporto.tecnico@troteclaser.com

(NL)

**Trotec Laser B.V.**

☎ +31 850 70 51 55  
support@troteclaser.nl

(ZA)

**Rubber Stamp & Engraving**

☎ +27 875 509-335  
support@trodat.co.za

(BE)

**Trotec Laser België  
Trotec Laser Belgique**

☎ +31 850 70 51 55  
support@troteclaser.nl

(CN)

**Trotec Laser GmbH**

☎ +86 189 500 735 62  
china@troteclaser.com

(FR)

**Trotec Laser France SAS**

☎ +33 1 72 62 20 94  
techsupport.fr@troteclaser.com

(JA)

**Trotec Laser Japan Corporation**

☎ Tokyo: +81 42 313 0740  
☎ Osaka: +81 6 6180 2200  
service-jp@troteclaser.com

(PL)

**Trodat Polska Sp. z o.o.**

☎ +48 22 339 35 39  
serwis\_pl@trodat.net

**Trotec Laser (XIAMEN) CO., LTD.**

#5 GuAn Road South, MaXiang  
Town  
XiangAn District, XiaMen, China

---

**Trotec Laser GmbH**

Freilingerstraße 99  
4614 Marchtrenk, Austria

**General contact to Technical Support:**

Tel.: +43 7242 239-7000

E-mail: [techsupport@troteclaser.com](mailto:techsupport@troteclaser.com)

**[WWW.TROTECLASER.COM](http://WWW.TROTECLASER.COM)**

---

Technical Changes	Technical specifications are subject to change without notice. Trotec Laser GmbH reserves the right to improve or modify any of the products without prior notice.
© Copyright	This documentation with all illustrations is intellectual property of Trotec Laser GmbH. The entire documentation is given to the user for personal use only. Reproduction, translation or any distribution to third parties is not permitted without the prior consent of Trotec Laser GmbH. Any breach of law will be prosecuted.

---

# Content

<b>1</b>	<b>General Information.....</b>	<b>7</b>
1.1	Information about this manual.....	7
1.2	General instructions for using the manual.....	7
1.3	Explanation of symbols.....	8
1.4	Liability and warranty.....	8
1.5	Scope of delivery (standard configuration).....	9
1.6	Type plate.....	10
<b>2</b>	<b>Safety.....</b>	<b>11</b>
2.1	General safety notes.....	11
2.1.1	Intended use.....	12
2.1.2	Improper use.....	12
2.1.3	Residual risk.....	12
2.1.4	Machine modification.....	12
2.1.5	Operating modes.....	13
2.1.6	Applicable safety regulations.....	13
2.1.7	Safety-related parts of control systems.....	14
2.2	Laser safety.....	14
2.2.1	Laser classification.....	14
2.3	Areas of responsibility.....	16
2.3.1	Responsibilities of the operating company.....	16
2.3.2	Responsibilities of the operating personnel.....	17
2.4	Requirements for operating an service personnel.....	17
2.5	Machine identification (warning and safety stickers).....	17
2.6	Secondary (indirect) hazards.....	19
2.6.1	Fire hazard.....	19
2.6.2	Gases, fumes and dust.....	20
2.7	In case of emergency.....	20
<b>3</b>	<b>Technical Data.....</b>	<b>21</b>
<b>4</b>	<b>Before commissioning.....</b>	<b>22</b>
4.1	Unloading, inspection and reporting faults.....	22
<b>5</b>	<b>Transport and Storage.....</b>	<b>23</b>
5.1	Transport conditions.....	23
5.2	Storage conditions.....	23
5.3	Place of storage.....	23
5.4	Transport inspection and reporting of defects.....	24

<b>6</b>	<b>Setup and installation.....</b>	<b>25</b>
6.1	For your safety.....	25
6.2	Temperature and humidity.....	25
6.3	Installation location.....	25
6.4	Mechanical installation.....	26
6.4.1	Installation of the marking head.....	26
6.5	Electrical installation.....	27
6.5.1	Overview marking head interface (back side).....	28
6.5.2	Mains connection.....	28
6.5.3	Overview PC interface (back side).....	29
6.5.4	Overview laser rack interface (back side).....	29
6.5.5	Interface pin configuration.....	34
<b>7</b>	<b>Operation.....</b>	<b>36</b>
7.1	Installation inspection.....	36
7.2	Marking software.....	36
7.3	Control panel.....	36
7.4	Power On/Off.....	37
7.5	Emission indicator.....	38
7.6	Focusing.....	39
<b>8</b>	<b>Ingetration / Connection.....</b>	<b>41</b>
8.1	Switching sequences.....	41
<b>9</b>	<b>Maintenance.....</b>	<b>43</b>
9.1	Safety notes.....	43
9.2	Changing of the laser source filter mat.....	43
9.3	Cleaning the optics.....	44
<b>10</b>	<b>Troubleshooting.....</b>	<b>45</b>
10.1	Error, cause and remedy.....	45
10.2	Possible error messages.....	46
<b>11</b>	<b>Contact details.....</b>	<b>48</b>
<b>12</b>	<b>Disassembly.....</b>	<b>49</b>
<b>13</b>	<b>Disposal.....</b>	<b>50</b>
<b>14</b>	<b>Appendix.....</b>	<b>51</b>
14.1	EE 8019 SpeedMarker 50.....	52
14.2	Datasheet 8019 SpeedMarker 50 DS.....	53
14.3	Datasheet 8019 SpeedMarker 50.....	59

# 1 General Information

The SpeedMarker 50 fiber is a high-quality laser marker. The use of a Yb fiber laser source enables an extreme long-life cycle with minimum maintenance costs. With the exception of the filter mats and the processing optics, the system is maintenance-free.

The combination of a high-quality galvo scanner and a fiber laser enables short marking times with highly precise marking. In combination with the marking software and the available interfaces, this provides a flexible and productive marking solution that meets the highest quality standards.

For the sake of readability, gender-neutral endings are not used in this operation manual. It is hereby expressly stated that all parts of the text where natural persons or groups of persons are mentioned refer to people of all genders.

## 1.1 Information about this manual

**Before beginning any work on the machine, read this manual completely and carefully.  
Keep the manual for further consultation close to the machine.**

This manual describes how to operate the machine properly and safely. Be sure to follow the safety instructions given here, as well as any local accident prevention regulations and general safety regulations applicable to the field of usage. Before beginning any work on the machine, ensure that the manual, in particular the chapter entitled "Safety Information" and the respective safety guidelines, has been read in its entirety and fully understood.



### Information

Supplementary documentation can be found on the supplied storage medium. You can also request this from the manufacturer.

## 1.2 General instructions for using the manual

The operating manual describes how to handle the device correctly and safely and guides you through the necessary steps for initial use. The operating manual also contains important information regarding system maintenance.



### Warning

This operating manual must be read and followed carefully before commissioning and operating the device. Failing to observe individual points listed in this operating manual may result in personal injury and/or material damage to property!

Ancillary devices must be calibrated to meet the safety and operational requirements of the base machine (please contact your dealer or the manufacturer with any queries).

### 1.3 Explanation of symbols

Important technical safety notes and instructions in this manual are indicated by symbols. It is important to observe and follow these notes and instructions on workplace safety. Avoid accidents, personal injury and material damage to property by acting with extreme caution.



#### **Danger**

This symbol indicates an imminently hazardous situation which, if not avoided, will result in death or serious injury.



#### **Warning**

This symbol indicates a potentially hazardous situation which, if not avoided, could result in death or serious injury.



#### **Warning Dangerous electrical voltage**

This symbol warns of potentially dangerous situations related to the electric voltage. Failure to observe the safety instructions leads to risk of serious injury or death. Particular care should be taken during maintenance and repair work.



#### **Warning Laser**

This symbol warns of potentially dangerous situations related to the laser beam. Failure to observe the safety instructions leads to risk of serious injury.



#### **Caution**

This symbol indicates a potentially hazardous situation which, if not avoided, could result in minor or moderate injury.



#### **Notice**

This symbol indicates potential risks of damage to the supported product (or to property).

In addition, non-observance may result in damage, malfunction or failure of the machine.



#### **Information**

This symbol indicates tips and information which must be observed for efficient and trouble-free handling of the product.



#### **Disposal**

This symbol indicates notes regarding the professional disposal of the product or accessories.

### 1.4 Liability and warranty

Warranty periods specified in the manufacturers "warranty terms and conditions" shall be binding for the buyer. If no warranty periods are specified, the general terms and conditions of sale, delivery and payment apply.



All information, illustrations, tables, specifications and diagrams contained in this operating manual have been carefully compiled according to the current state of technology. No liability is accepted with regard to errors, missing information and any resulting damage or consequential loss.

Strict compliance with the safety procedures described in this operating manual and extreme caution when using the equipment are essential for avoiding and reducing the possibility of personal injury or damage to the equipment. The manufacturer shall not be liable for any damage and or faults resulting from nonobservance of instructions in this manual.

Nonobservance of the operation, maintenance and service instructions described within this manual absolves Trotec Laser GmbH from any liability in case of a defect.

Furthermore, Trotec Laser GmbH shall accept no liability whatsoever for damage caused by the use of non-original parts and accessories.

Additionally, Trotec Laser GmbH shall not be held responsible for any personal injury or property damage, of an indirect or specific nature, consequential loss, loss of commercial profits, interruption to business, or loss of commercial information resulting from use of the equipment described in this manual.

It is strictly prohibited to make any alterations, to prepare translations, decompile, disassemble, reverse engineer or copy the software.

Trotec Laser GmbH reserves the right to update any of the information, illustrations, tables, specifications and diagrams contained in this operating manual with regard to technical developments at any time without notice.

### 1.5 Scope of delivery (standard configuration)

- Power cord
- Software and manuals on storage medium
- Lens cleaning tissues
- Allen key set
- Key for Rack
- Plug X11, X31, X71
- Exhaust connection cable (optional)
- Accessories SpeedMark Vision (optional)
- Network cable

PC, Monitor, keyboard and mouse are not included in the standard delivery.



#### **Notice**

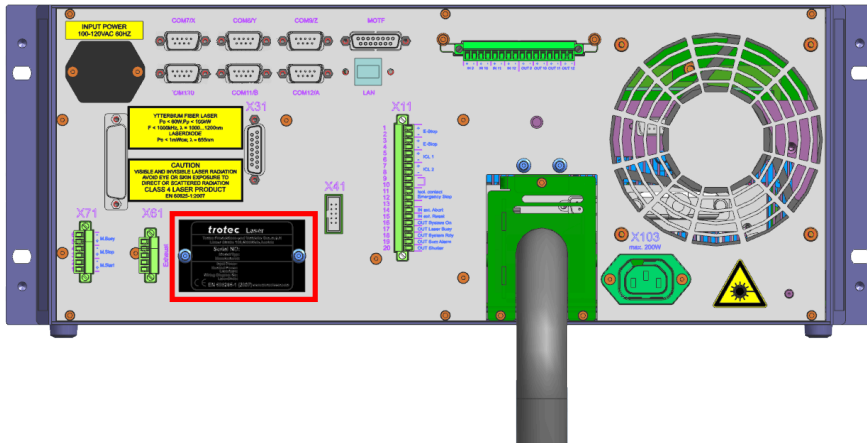
The system should be returned and transported in the original packaging.


## General Information

### 1.6 Type plate

The type plate contains information regarding the serial number, manufacturer, date of manufacture, connection values and consumption data.

The type plate is located on the reverse side of the laser rack.



<b>trotec</b> Laser	
Trotec Laser GmbH Linzer Straße 156, 4600 Wels, Austria	
<b>Serial No:</b>	<b>S50#-####</b>
Model / Typ:	8019 SpeedMarker 50
Manufactured:	September 2019
	Input Power: 230VAC~, 50/60Hz
	Nominal Power: 450 W
	Lasertype: Yb, 20W, 1055-1075nm
	Wiring Diagram No: 8019_SM50_wiring
	Laserdiode: <1mWcw, 655nm
EN 60825-1 (2015) www.troteclaser.com	

Enter the serial number, model and year of construction of the machine here.

This data is important should the unit experience a fault and for ordering replacement parts.

Serial number:	
Model:	
Year of manufacture:	

## 2 Safety

### **TO AVOID POSSIBLE HARM READ AND FOLLOW THESE INSTRUCTIONS.**

The machine is built at the time of its development and production according to applicable, established technical rules and is considered to be safe to operate.

Dangers can be caused by the machine if the machine:

- is operated by unqualified personnel,
- the personnel have not been trained,
- the machine is used improperly or not as intended,
- or if the machine is used for other intended purposes.

This chapter provides an overview of all important safety aspects that are necessary for optimum protection of persons and safe and trouble-free operation of the machine. Other chapters of this manual contain specific safety notes for the avoidance and prevention of hazards.

### 2.1 General safety notes

#### **GENERAL SAFETY NOTES:**

- Only trained persons may perform activities on the machine.
- Safety devices, protective devices and machine parts must be present and must not be bridged. Faultless and intended function must be ensured.
- Work and control of the machine only by persons with sufficient knowledge of the function of the machine (applies especially to service operation).
- Never leave the machine unattended during operation. When the machine is not in use, turn off the main switch.
- Replace detached or damaged machine signage immediately.
- In the event of an unmanageable malfunction, switch off the machine and contact technical support in order not to damage the machine.
- The use of inferior spare parts or third-party components impairs the safety of the machine.
- Protective equipment:  
Wear suitable work clothing and protective goggles matched to the laser (laser class 4).
- Exhaust system:  
Use suitable extraction equipment, as gases, fumes and other partially toxic by-products may be generated.
- Materials:  
Select suitable parameters for the corresponding material. Safely extract dusts so that no detectable residues or residues can collect in the work area.

### 2.1.1 Intended use

The SpeedMarker 50 fiber is a Class 4 laser marker as per DIN EN 60825-1 "Safety of laser products". It is intended for integration in systems and lines.

The product is intended exclusively for laser marking using the supplied marking software.

The following points should also be observed as part of the intended use:



#### Notice

- Only mark approved materials using suitable parameters.
- Perform maintenance and service according to the specifications in this operating manual.
- Use a suitable extraction system to remove fumes, dust or other reaction products.
- The machine may only be operated by suitably trained individuals.
- Observe effective safety regulations and the procedures described in this operating manual.

If the intention is to use the system for other applications, Trotec Laser GmbH should be informed in advance.

### 2.1.2 Improper use

Use of the machine for any purposes other than those intended or described in the present manual is regarded as improper and therefore prohibited. Trotec Laser GmbH will not accept any liability for damage caused by improper use. The operator is solely liable for all damages caused by improper use.

Non-observance of the operation, maintenance and service instructions described within this manual absolves Trotec from any liability in case of a defect.

### 2.1.3 Residual risk

Even if all safety regulations are observed, a residual risk remains when operating the machine.

The measures required to reduce all residual risks can be found in the following paragraphs of the chapter "[Safety](#)".

### 2.1.4 Machine modification

It is strictly prohibited to alter, refit or modify the machine in any way without the express consent of the manufacturer.

Likewise, it is strictly prohibited to remove, bridge or bypass any safety devices. Operating conditions and connection and setup values stated in the data sheet must be complied with at all times.

Operation of the system is permitted only with original parts and accessories by the manufacturer. Use of third-party parts affects machine safety.

## 2.1.5 Operating modes

### NORMAL OPERATION

**For normal operation the following conditions must be met:**

- Intended use of the machine (see chapter "Intended use").
- Operation of the machine only by trained personnel.
- Full functional and mounted safety devices.
- Machine must be in technically flawless condition.
- Processing of permissible materials according to the material list.
- Maintenance and service are not included.



#### Notice

During normal operation it is not necessary to wear safety glasses.

### SERVICE OPERATION

Service activities may be carried out only by authorized, trained service technicians. If side panels as well as covers get removed and safety devices get bypassed, it can lead to direct and indirect scattered radiation. The service operation is therefore declared as laser class 4 (US: class IV) and proper precautions need to be taken (see "Laser classification").

## 2.1.6 Applicable safety regulations

The following directives and guidelines must be observed to avoid hazards when operating Trotec laser systems:

### GUIDELINES/REGULATIONS

2006/42/EC	EC Machinery Directive
2014/30/EU	EMC Guideline

### APPLIED HARMONIZED STANDARDS

EN ISO 12100:2011-03	Safety of machinery - General principles for design - Risk assessment and risk reduction.
IEC 60825-1:2014, EN 60825-4:2011	Safety of laser products - Part 1: Equipment classification and requirements.
IEC 60204-1:2005	Safety of machinery - Electrical equipment of machines - Part 1: General requirements.
ISO/DIS 11553-1:2009-03	Safety of machinery - Laser processing machines - Part 1: General safety requirements.
IEC 61000-6-4:2007-02	Electromagnetic compatibility (EMC) - Part 6-4: Generic standards - Emission standard for industrial environments.
ISO 13857:2008	Safety of machinery - Safety distances to prevent hazard zones being reached by upper and lower limbs.

EN 55011+A1:2016-05	Industrial, scientific and medical equipment - Radio-frequency disturbance characteristics - Limits and methods of measurement.
IEC 60825-4:2012-01-01	Safety of laser products - Part 4: Laser guards



## Notice

### Safety norms and regulations.

The general guidelines and directives listed within this manual may differ according to locality, region or country.

Therefore, always observe the directives as well as the regulations of the institutions for statutory accident insurance association applicable to you. The operator is responsible for fulfilling all safety requirements, as Trotec Laser GmbH has no influence on the proper use of the machine.

Observe the official regulations for your business location in accordance with the applicable local legal regulations (on accident prevention regulations or employee protection), e.g. DGUV regulation 11 for Germany.

## 2.1.7 Safety-related parts of control systems

The safety inputs of the emergency stop and the interlock have a two-channel design and comply with standard EN ISO 13849-1:2015 performance level (PL) PLd.

Performance Level (PL)	Average probability of a dangerous failure per hour (PFH <sub>D</sub> ) 1/h
a	$\geq 10^{-5}$ bis $< 10^{-4}$
b	$\geq 3 \times 10^{-6}$ bis $< 10^{-5}$
c	$\geq 10^{-6}$ bis $< 3 \times 10^{-6}$
d	$\geq 10^{-7}$ bis $< 10^{-6}$
e	$\geq 10^{-8}$ bis $< 10^{-7}$

Notes: Tables 2 EN ISO 13849-1:2015

## 2.2 Laser safety

### 2.2.1 Laser classification

The laser safety class indicates the risk potential based on the level of accessible laser radiation.

The SpeedMarker 50 fiber is a laser class 4 product and complies to the latest safety norms and regulations (IEC 60825-1).

**Class 4 (US: class IV)**

Class 4 (US: class IV) high powered lasers (visible or invisible) considered to present potential acute hazard to the eye and skin for both direct and scatter (diffused) conditions.

Also have potential hazard considerations for fire (ignition) and byproduct emissions from target or process materials. It is the responsibility of the operator of the machine to take appropriate measurements to eliminate any dangers such as fire or explosions through the laser beam.

**Warning Laser****Obligations of the operator for the operation of class 4 lasers (US: class IV):**

- Observe official regulations for the business location in accordance with the applicable local legal regulations (on accident prevention regulations or employee protection), e. g. DGUV regulation 11 for Germany.
- According to DGUV regulation 11 "Laser radiation", as well as national regulations: Written appointment of a competent laser safety officer for compliance with the relevant regulations.
- Mark the danger zone as such by attaching warning lights and warning signs on the outside.
- Protect the danger zone against unauthorized access.
- Wear appropriate laser safety glasses within the danger zone that are matched to the wavelength and power of the laser.
- Install an additional and well visible warning light to warn the operator of the presence of laser radiation.

Compliance with the points above does not absolve the operator from meeting the relevant standards and guidelines for the operation of a Class 4 laser system.

**Class 1**

The accessible laser radiation of Class 1 laser systems does not pose any hazard for the skin or eyes.

In order to operate as a Class 1 laser system, the following points must be observed:

**Notice**

- The entire course of the laser beam should be shielded to prevent radiation.
- Any covers providing access to laser areas which may be removed without using a tool should be fitted with suitable safety latches.
- Inspection windows in the housing should be fitted with safety glass suitable for the laser output and the shaft length of the laser (DIN EN 207).

**Class 2 (US: class II)**

The accessible laser radiation of Class 2 (US: Class II) laser systems does not pose any hazard for the skin. Diffuse reflections as well as any short-term irradiation of the eyes (exposure time max. 0.25 seconds) also pose no risk due to the low output power.

However, it is possible to suppress the natural eyelid closure reflex and stare into the class-2 laser beam for a time long enough for the eyes to get injured.

The product uses a Class 2 pilot laser. In order to prevent irritation of the eyes during operation, the operator should not look directly at the laser source. Diffuse reflections of the pilot laser are entirely harmless.

### 2.3 Areas of responsibility

#### 2.3.1 Responsibilities of the operating company

**The operator has the following responsibilities:**

- It is the responsibility of the operator to comply with the national official and statutory regulations for the operation of a class 4 (US: class IV) laser system or laser system with a build in laser source of class 4 (US: class IV).
- In addition to the safety notes and instructions stated in this manual, consider and observe the local accident prevention regulations and general safety regulations that apply at the operation site of the machine.
- A CO<sub>2</sub> fire extinguisher must always be at hand, as the laser beam can ignite flammable materials.
- If the machine is used industrially, the operator is subject to the legal obligations concerning industrial safety.
- All personnel involved in installation, set-up, operation, maintenance and repair of the machine must have read and understood this manual and in particular the "Safety" section. The personnel must be trained and informed about all the functions, potential dangers and safety issues of the machine on a yearly basis.
- The user is recommended to prepare company internal instructions considering the occupational qualifications of the personnel employed in each case, and the receipt of the instruction/this manual or the participation in the introduction/training should in each case be acknowledged in writing.
- Keep the manual in the immediate vicinity of the machine so that it is accessible at all times to all persons working on or with the machine.
- Authority for the individual activities relating to the application of the machine (e.g. installation, operation, maintenance and cleaning) must be clearly defined and observed, so that no unclear competencies result under the aspect of safety. This applies in particular to work to be performed on the electrical equipment that may only be performed by qualified specialists.
- Maintenance and repair work as specified in the manual must be carried out regularly.
- For all activities concerning installation, set-up, start-up, operation, modifications of conditions and methods of operation, maintenance, inspection and repair, the switch-off procedures that may be provided in the manual must be observed.
- Provide appropriate personal protection equipment (e.g. protective goggles according to wavelength and laser power).
- The operator is responsible for the safety-related state of the machine.
- Do not store any flammable materials in the working area or in the immediate vicinity of the device. Particularly, residues of processed materials have to be removed to prevent any fire hazard.
- The operator must ensure cleanliness and accessibility at and around the machine by corresponding instructions and controls.



### 2.3.2 Responsibilities of the operating personnel

**The operating personnel has the following responsibilities:**

- Always wear personal protective equipment.
- It is the duty of the operating personnel to check the machine before start of work for externally visible damage and defects, and to immediately report any changes that appear (including behavior during operation) that may affect the safety of the machine. It must be made sure that the machine is operated only in perfect condition.
- The machine must not be left unattended while it is operating (supervised operation).
- Switch off the machine described herein at the main switch for periods of non-use.
- Operate the machine described here only with a lens in place. A missing lens may cause the unfocused laser beam to be reflected out of the housing.
- Stop this machine immediately in case of failure.
- No working methods are permitted that affect the safety of persons or of the machine.
- The machine and its components, such as the lens and mirrors, are to be kept clean at all times.



**Caution**

The adjustment of the beam path may only be carried out by service personnel of Trotec Laser GmbH.

### 2.4 Requirements for operating an service personnel

**The requirements for the operating and service personnel are:**

- The personnel must have read and understood this manual and in particular the "Safety" section.
- The personnel must not be under the influence of drugs, alcohol or reactivity affecting medication when working on or with the machine.
- The personnel must be familiar with using the CO<sub>2</sub> fire extinguisher.
- The personnel must be trained in order to be qualified to operate the machine. If the personnel lack the necessary knowledge for working on or with the machine, they must first be trained and note down the training in the training verification form.

Activity	Intended user group	Definition
Control/operation/other activities (e.g. troubleshooting, maintenance)	Qualified personnel or Trotec service technicians	Qualified personnel are those who can judge the work entrusted to them and detect potential risks based on their occupational training, knowledge and experience as well as their understanding of the relevant regulations.

### 2.5 Machine identification (warning and safety stickers)

The warning and information labels are attached in the position of the machine that could represent a source of danger during set-up and operation. Therefore pay attention to the information on the labels.

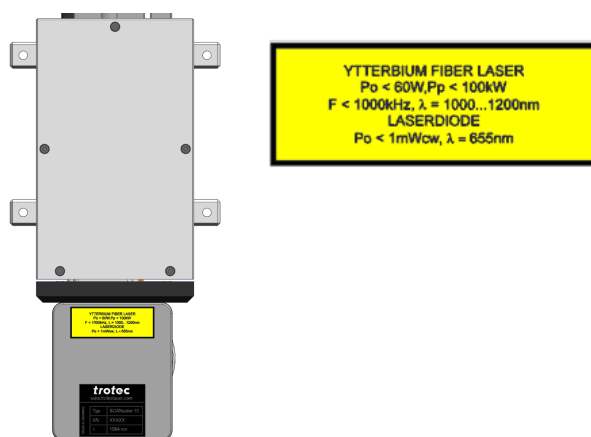


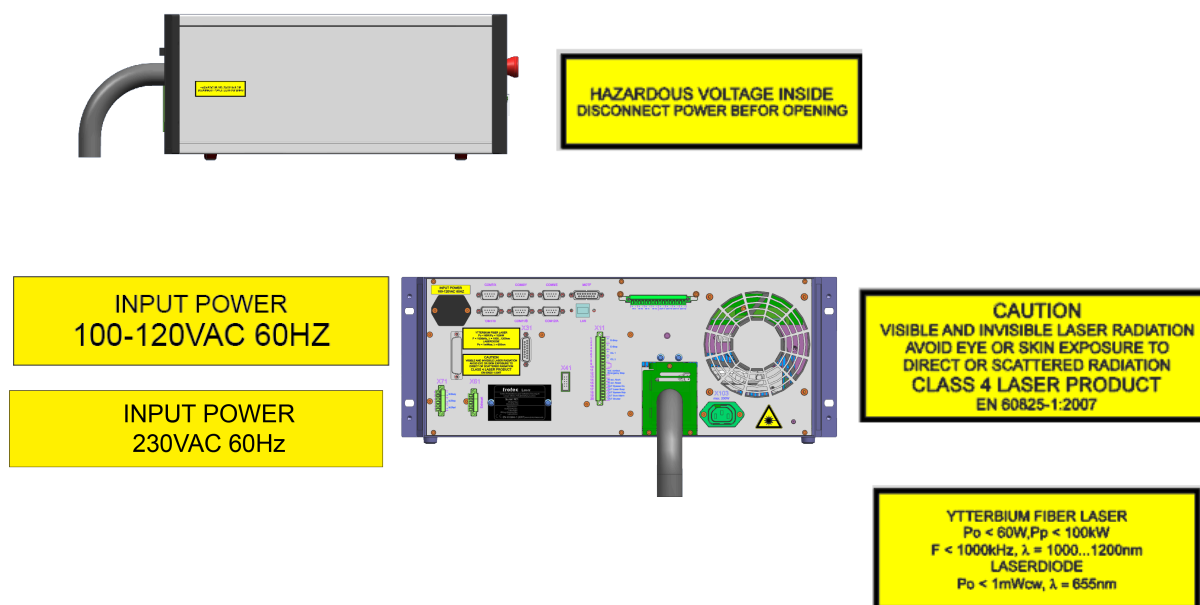
## Caution

### Lost or damaged warning and safety stickers.

If any warning and safety stickers are lost or damaged, the user is not able identify risks anymore, and there is danger of injury.

- Replace lost or damaged labels immediately.
- Contact your Trotec Laser GmbH dealer for details.





## 2.6 Secondary (indirect) hazards

### 2.6.1 Fire hazard



#### Warning

##### Fire hazard

Fire hazard from gas and processing of inflammable materials.

- Do not operate the device without supervision.
- Keep CO<sub>2</sub> fire extinguisher ready at hand in the immediate vicinity of the device.

If a main laser beam hits easily flammable material, e.g. paper, this may ignite and a fire can quickly occur. Therefore, before switching on the laser, you should make absolutely sure that there is no easily flammable material in the beam path.

Furthermore, gases that can form below the material to be processed may ignite. Especially if the extraction requirements are not met.

Inadequate care and cleaning of the system increases the risk of flame formation.

Regularly check the cooling slots of the cooling system.

### 2.6.2 Gases, fumes and dust

Depending on the materials being processed and the parameters selected, laser processing may generate gases, fumes, aerosols or dust. Depending on the material, such by-products may be toxic. In individual cases, the reaction products may be electrically conductive dusts. If these enter electric systems, short-circuiting with personal injury and property damage may occur.

The operator is responsible for ensuring presence of a suitable extraction system and compliance with the relevant guidelines in order to protect persons and the environment. Find out about local guidelines.

The operator must also ensure that gases, fumes or dust do not settle on the processing lens. Any dirt accumulating on the processing lens can lead to loss of performance, poor processing results and damage to the device.

### 2.7 In case of emergency

#### WHAT TO DO IN THE EVENT OF MALFUNCTIONS

- In unusual operating conditions, open the lid to stop the machining process press the emergency stop button and switch off the machine.
- If necessary, disconnect the machine from the main power supply.
- Inform the laser protection officer and your supervisor.
- Repair work must only be carried out by Trotec Laser GmbH service technicians.
- In the event of a fire: Fight the fire with a CO<sub>2</sub> fire extinguisher as far as is possible without risk.



#### Notice

After a deletion, Trotec Technical Support must be involved before the system is put back into operation.

#### WHAT TO DO IN THE EVENT OF AN ACCIDENT, FIRST AID

- If eye damage occurs due to laser radiation, the casualty must present to an ophthalmologist immediately.
- First aiders must protect themselves.
- Disconnect the device from the power supply and secure it against restarting
  - Remove the key switch.
  - Unplug the power cable.
- Rescue the injured person from the danger area and provide first aid.
- Call an emergency doctor!

### 3 Technical Data

→ The technical data sheet can be found in the appendix of this manual.

### 4 Before commissioning

- Read the operating manual and ensure it is accessible at all times.
- The ambient temperature must be between +15 °C and +25 °C (59 °F and 77 °F) and not exceed the relative humidity of 45-65% (non-condensing). Non-observation leads to damage.
- A laser system consists of high quality electrical and optical components. Mechanical stresses, vibrations and impacts must always be avoided.
- If the system has been subject to significant temperature variations, it must be brought back to room temperature before being commissioned.
- Sufficient air must be supplied to the 19 inch module of ventilated systems. The accumulation of heat due to covered ventilation slots or filter pads can damage the system.
- Assemble the device at the point of installation according to the instructions.
- The operating personnel must read and understand the operating manual, in particular the chapter on "Safety notes". It is recommended that the operator compiles with inhouse instructions regarding safety and operation and that the receipt of these instructions/operating manual and the participation in briefings/training courses is confirmed in writing.
- Laser marking may generate gases, fumes and other reaction products on the surface of the material. The operator must therefore use an effective extraction system.

#### 4.1 Unloading, inspection and reporting faults

##### **In the event of transportation damage or incomplete delivery:**

- Record all details in writing immediately.
- Note all claims on the transportation documents.
- Photograph any damage.
- Send report to Trotec Laser GmbH.

##### **Nach dem Entladen:**

- Remove all transport packaging.
- Check the delivery for completeness.
- Inspect the machine and machine components for transportation damage.



##### **Warning**

On delivery the marking head is firmly attached to the laser rack using the fiber optic cable. The fiber optic cable is enclosed with the jumper cables in a black tube for protection.

Avoid any unnecessary stretching or bending of the fiber optic cable. This could damage the fiber optic cable.

- The lens unit should only be uncovered following installation.
- The lenses are high quality optical components which must be kept clean in order to ensure optimum marking results.
- Never touch the lenses with bare fingers!

## 5 Transport and Storage

### 5.1 Transport conditions

- When transporting outside, always transport in a covered vehicle or one with sufficient weather-proofing.
- Protect the machine against transportation damage using straps and inserts, and leave sufficient distance between other transported items.
- Ambient temperature for transportation:  
minimum temperature 10°C  
maximum temperature 40°C
- Handle the machine and machine components with care.
- Do not place any heavy loads on the machine or machine components.
- Avoid heavy impacts.
- Take particular care when transporting electronic components.

#### Transport conditions

Transport temperature (ambiente temperature):	-10 °C to +40 °C (14 °F to 104 °F)
Relative humidity:	Maximum 70%, non-condensing

- Avoid high temperature fluctuations.

### 5.2 Storage conditions

- Store the machine and machine components in a dry location.
- Protect the machine and machine components against scratches.
- Take particular care when packing away electronic components.
- When storing for a long period, preserve bare metal parts (e.g. apply oil).

#### Storage conditions

Storage temperature (ambiente temperature):	0 °C to +30 °C (32 °F to 86 °F)
Relative humidity:	Maximum 60%, non-condensing

- Avoid high temperature fluctuations.

### 5.3 Place of storage

Storage room or boxed with sufficient weatherproofing. The storage location must be free from corrosive elements, fumes and flammable materials.

### 5.4 Transport inspection and reporting of defects

- Immediately after receipt inspect the delivery to ensure that it is complete and has not suffered any damage.
- If any transport damage is visible, do not accept the delivery, or accept it only with reservation.
- Record the scope of the damage on the transport documents or delivery note.
- For all defects that are not discovered upon delivery, be sure to report them as soon as they are detected, since damage claims must be filed within a certain period, as mandated by law.



## 6 Setup and installation

### 6.1 For your safety



#### Notice

The setup has to be carried out by Technical Support.

### 6.2 Temperature and humidity

#### Ambiente conditions

Operating temperature (ambiente temperature):	+15 °C to +35 °C (59 °F to 95 °F)
Relative humidity:	max. 60%, non-condensing

- If the system has been exposed to large temperature fluctuations, it must first be brought back to room temperature before commissioning.

#### ENVIRONMENTAL CONDITIONS

- Provide sufficient illumination at the workplace.
- Ensure a dust-free environment (II° according to IEC60947-1).
- Shielding from EMC.
- Freedom of interfering electrical installations, hoses and pipe lines.
- Power supply free of fluctuations.

### 6.3 Installation location

#### INSTALLATION LOCATION

##### The installation location must:

- Have a stable power supply.
- Be vibration free.
- Have sufficient air supply for the laser rack and PC.

## 6.4 Mechanical installation

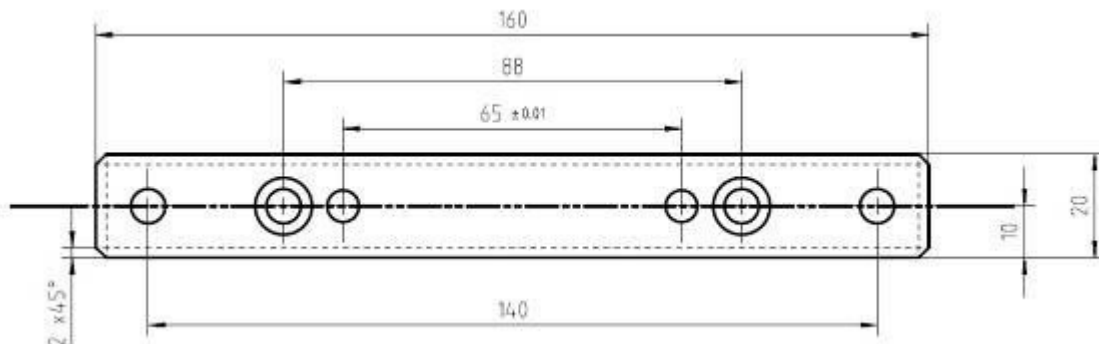
### 6.4.1 Installation of the marking head

The correct, stable and reproducible alignment of the working head in relation to the workpiece to be marked is a prerequisite for faultless marking results. The marking head should therefore be installed with appropriate care.

#### MOUNTING

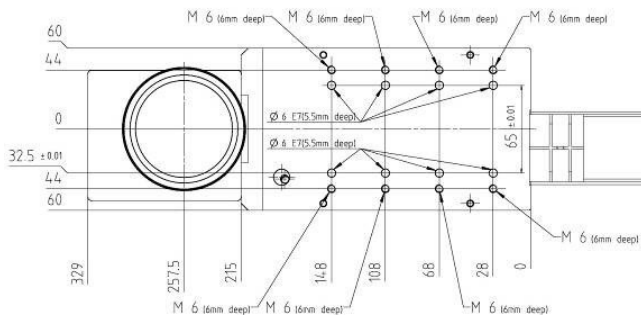
The working head may be mounted either from the top using the supplied feet or from below using the hole pattern on the base plate. The feet may be assembled in various positions on the working head base plate. The feet may be disassembled if they are not required and the working head should be secured tightly. Also the support bracket should not be subject to any vibrations during operation. In order to avoid damaging the lens, keep the protective cap on the lens during installation.

The following diagram illustrates the hole pattern for the feet. The working head is secured using the two mounting feet through holes 6.6 mm in diameter (designed for M6 screws).

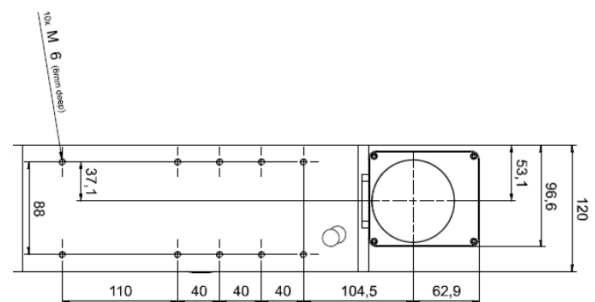


The following diagrams illustrate the working head hole patterns when used for direct installation without the feet.

a) without Dynamic Shifter



b) with Dynamic Shifter



### ALIGNMENT

The focal plane lies parallel to the working head base plate. When installing the marking head it is therefore important to ensure that the marking head base plate is aligned as parallel as possible to the intended processing plane. Otherwise uneven results will be produced on the marking field as a result of the changing focal position. In order to adjust the focal position, the distance between the object to be marked and the working head may be altered. Clearance holes 6 mm in diameter are located adjacent to the M6 threaded holes in the working head base plate in order to aid the precise alignment of the working head.

### MOTORIZED Z-AXIS

For mounting the marking head on the motorized Z-axis you have to remove the two mounting feet and fix it on the axis plate.

### FIBER OPTIC CABLE

The working head is connected to the actual laser source in the laser rack via an approx. 2.9 m long fiber optic cable. The fiber optic cable is enclosed with the jumper cables in a black protective tube for protection. In order not to damage the filaments, do not bend the cable by a radius of more than 66 mm. The tube should also not be subject to any mechanical stresses.



#### Caution

If necessary, the cable and the fiber optic cable may be disconnected from the marking head. As this will expose sensitive optical surfaces, this may only be performed by trained service personnel.

### LASER RACK AND PC

The laser rack and the PC should be located next to or directly above one another if possible in order for the modules to be connected to one another with the cables provided.

When installing in a control cabinet or rack, ensure there is sufficient ventilation. Both the laser rack and the PC require a sufficient supply of air. The air should be sucked in from the front and blown out at the rear. When installing the laser rack, also ensure the minimum radius of curvature of the fiber optic cable (black tube) is not exceeded on the rear side.

### SOFTWARE INSTALLATION

The software will be installed by starting the SETUP.exe from the software-CD. Please follow the steps on the screen. The correct configurations files must be installed after the software setup is finished.

The installation guide is enclosed in the accessory.

## 6.5 Electrical installation

Following the mechanical installation of the marking head, laser rack and PC, the components must be connected to one another electrically. (The laser rack and marking head are already connected to one another on delivery.) The peripherals (power supply, external control and safety signals, etc.) are then connected via the laser rack and PC interfaces.

## Setup and installation

---

All connectors are clearly identified in order to facilitate the electrical installation. The connector marked X82 belongs to the socket with the same denotation.

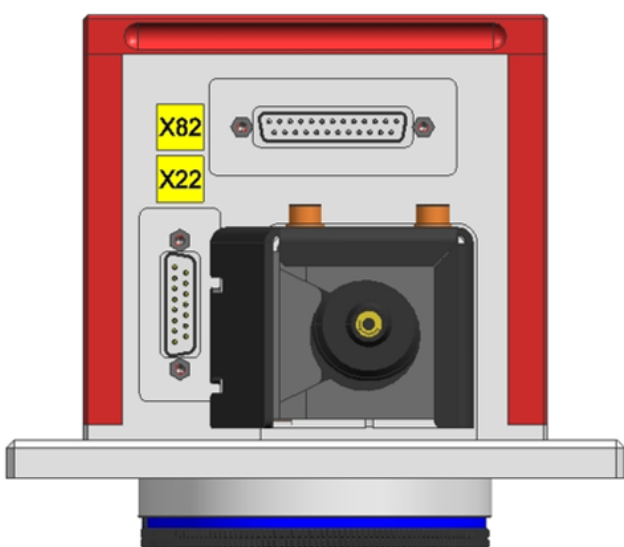
The connector denotations are also coded. The last digit of the connector denotation identifies the respective hardware components.

Therefore:

X ... 1 Laser rack

X ... 2 Marking head

### 6.5.1 Overview marking head interface (back side)



#### Notice

The cables are already connected to the marking head on delivery.



#### Caution

The fiber cable should only be disconnected from the marking head by trained service personnel.

Before working on the system, remove the power plug!

### 6.5.2 Mains connection

Laser rack and PC have a cold device socket on the rear for the cold device cables supplied.

Before commissioning, it is essential to check whether the laser rack is configured to the mains voltage and frequency.

The configuration of the laser rack is given on the type plate or on the warning label above the IEC connector.



### Warning Dangerous electrical voltage

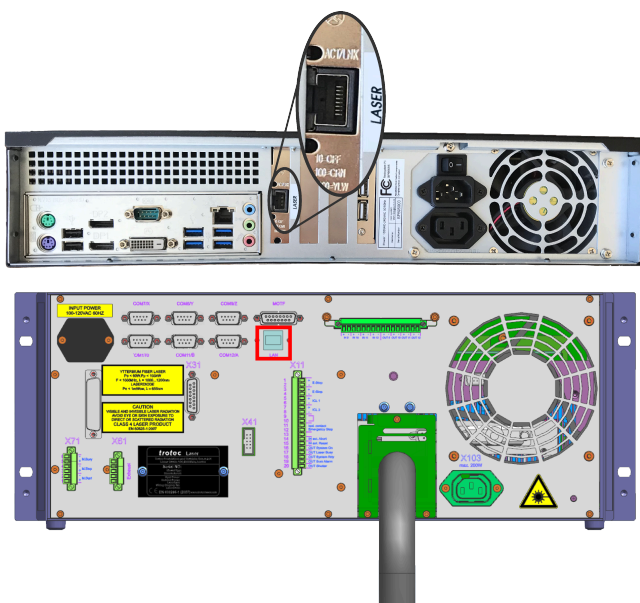
The laser rack is fitted with different main fuses depending on the configured supply voltage:

- 115V AC - 1 x 6.3 A "T" speed/time-delay
- 230V AC - 2 x 4 A "T" speed/time-delay

The main fuses are located behind the cover, immediately adjacent to the IEC connector.

The same main fuse is used on the PC for all mains voltages.

### 6.5.3 Overview PC interface (back side)



The machine is connected to the Ethernet via a cable connection from the LAN interface on the rear of the PC rack to the LAN interface on the laser rack.

### THE FOLLOWING IP ADDRESSES ARE RESERVED:

192.168.0.3	192.168.0.10	192.168.0.13	192.168.0.16	192.168.0.19
192.168.0.5	192.168.0.11	192.168.0.14	192.168.0.17	192.168.0.50
192.168.0.7	192.168.0.12	192.168.0.15	192.168.0.18	

### 6.5.4 Overview laser rack interface (back side)



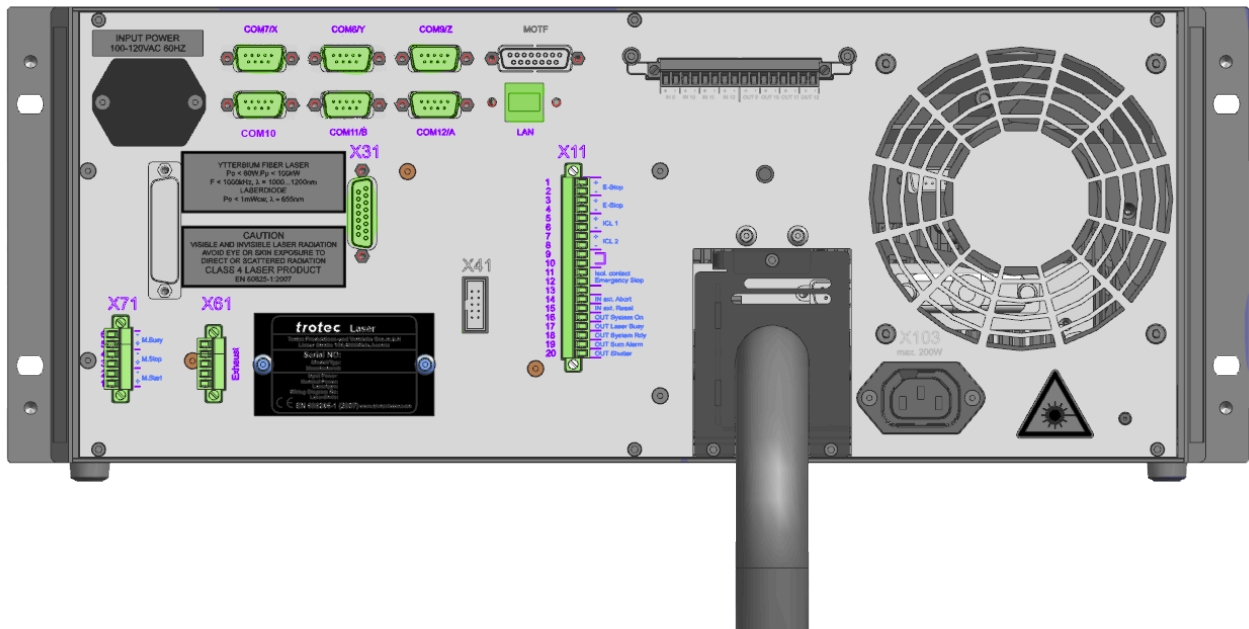
### Notice

Before the laser marker can be put into operation, the external safety circuits and the external start and stop signals must be connected.



### Caution

When making these connections, the operator must ensure that all safety circuits comply with the respective valid national standards and guidelines for the use of laser devices. Otherwise the device may cause personal injury or material damage.



The following connectors are available on the laser rack:

#### X11 – Safety circuit (Emergency stop button / interlock safety switch / external messages)

The X11 connector enables the connection of external safety circuits, additional emergency stop circuits and external warning lamps.



### Warning

The digital 24V inputs should only be controlled by isolated contacts with the 24V pin 13 on X11. The input of signals with any other reference potential could result in damage to the respective inputs.

#### X31 – External panel

The connector X31 may be used to connect an external control panel such as that located on the front of the laser rack. If no external panel is connected, the supplied connector must be used with the bridging devices.

#### X61 – Exhaust system

This connector is used to control, start and stop a Trotec extraction unit. Only use the original cable supplied.

#### X71 – Start / Stop

The X71 connector may be used to send start and stop signals via an external controller or receive a signal from the laser. The pin configuration is provided in "Interface Pin Configurations"

"Busy" is a laser output which can be set as required using a script.

"Stop" is an external input used to interrupt all running laser programs immediately. It is not necessary to monitor these inputs in a script.

"Start" is an external input which may be monitored in the software in order to trigger a marking process. If the monitoring of the signal is not active within a script, the input will have no effect on the program sequence.

For the "Start" and "Stop" Signal external 24VDC are needed.

### **COM7/X**

Connection X-Axis

### **COM8/Y**

Connection Y-Axis

### **COM9/Z**

Connection Z-Axis

### **COM10**

Reserved

### **COM11/B**

Connection B-Axis

### **COM12/A**

Connection A-Axis

### **LAN**

Connection between PC and Laserrack



#### **Notice**

If no external emergency stop circuit is connected, the supplied connector must be used with the bridging devices. In this case, only the emergency stop button on the front of the laser rack is active. The precise pin configuration of the plug is provided in "Interface Pin Configurations".



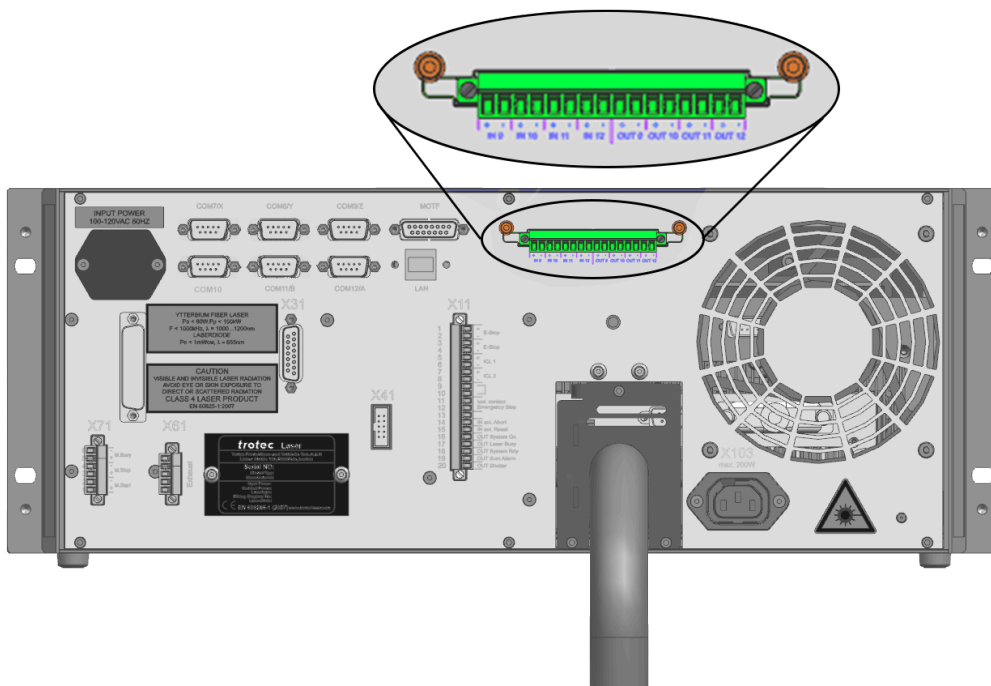
#### **Warning**

The maximum load of each of the digital 24V outputs on the interface is 100mA. A short circuit of the outputs must be avoided as it will damage the respective inputs.

The system is equipped with an additional Input/Output option.

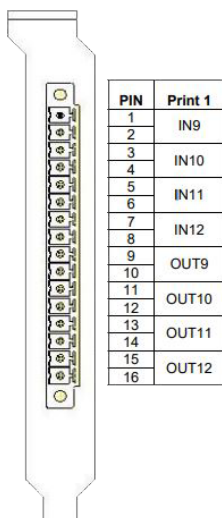
#### **With this option you can**

- feed the software with e.g. start, stop or status signals.
- activate signals by the software for e.g. warning lamps or relays.



- The inputs have to be provided with a 5V - 24V potential.
- For “ON”, the first PIN (e.g. PIN1) has to be provided with 24V and the second PIN (e.g. PIN2) has to go to ground to ensure the potential.
- The software closes the contact to let the signal from the first PIN (e.g. PIN11) through to the second PIN (e.g. PIN12).
- The outputs sections provide potential free relays contacts.
- The addressing is done by the software. For details please refer to the software manual.

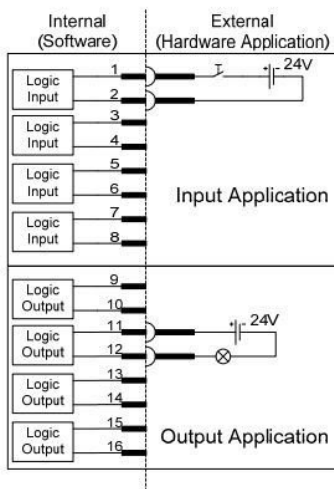
## SPECIFICATION:



- Maximum number of input signals: 1 per print
- Maximum voltage on output: 24V AC or DC
- Maximum current on each output: 1A



## APPLICATION EXAMPLES

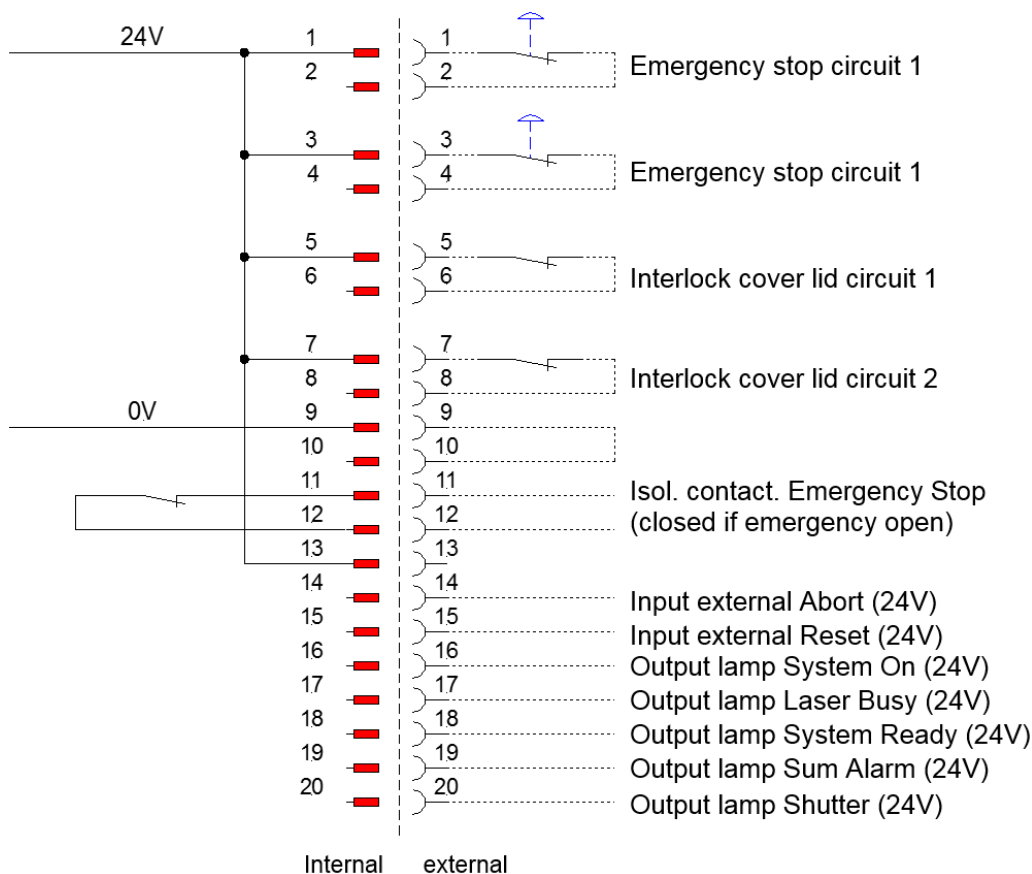


Input with switch and external 24V source at input "IN9".

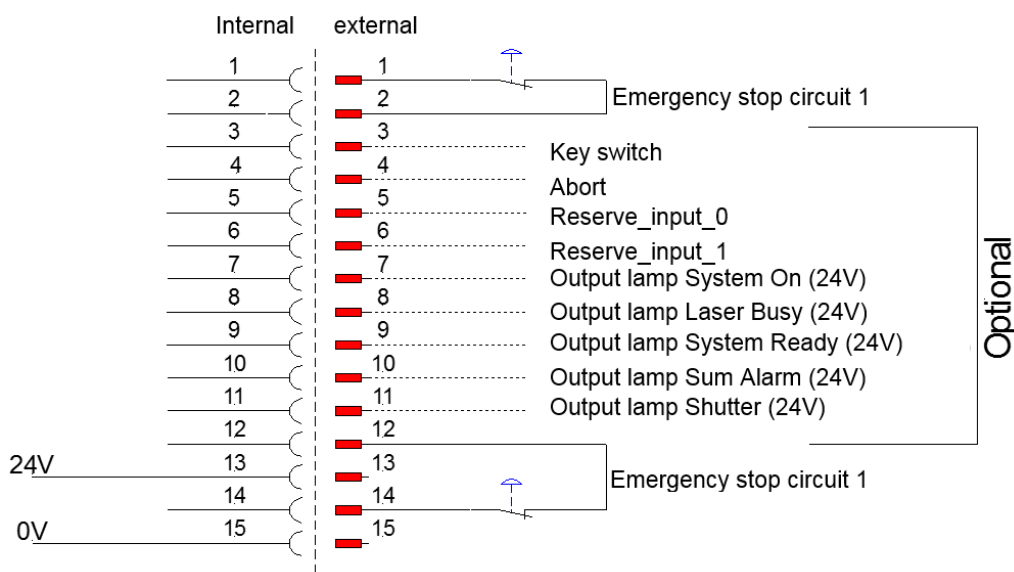
Supply of a lamp with 24V by activating "OUT10".

6.5.5 Interface pin configuration

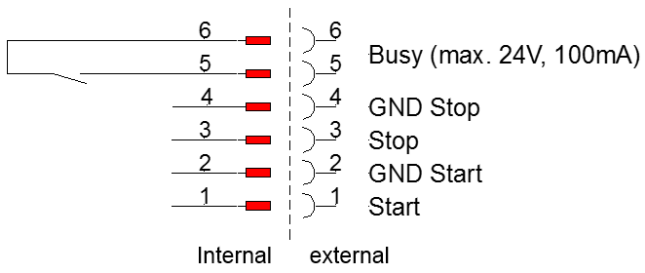
X11 – Safety circuit (Emergency stop button / interlock safety switch / external messages)



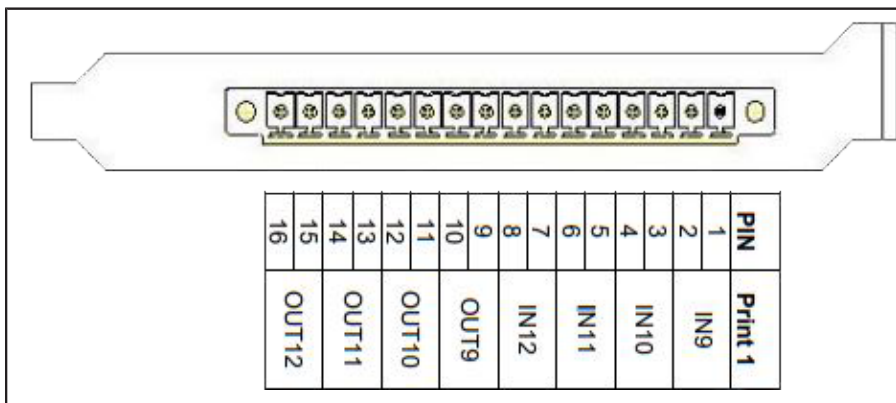
X31 - External panel



X71 – Start / Stopp



I/O Input/Output



### 7 Operation



#### **Warning Laser**

The operation of the laser system corresponds to laser class 4. Direct and indirect stray radiation is dangerous and can cause skin and eye injuries.

- Wear suitable laser safety goggles in the danger area that are adapted to the wavelength and power of the laser .
- See chapter "Laser Safety".

#### 7.1 Installation inspection

The following points must be checked to ensure correct installation:

- Correct power supply connections and fuses.
- Complete and correct mechanical and electrical installation.
- Check that the mechanical and electrical installation is complete and correct Input voltages.
- Checking the purity of the optical components (free of dust and dirt).
- Remove the protective cover from the focusing lens.
- Check the environmental conditions against the technical specification.
- Observe laser safety regulations.
- Check compliance with all laser safety measures. The system may only be switched on if all precautions have been taken to comply with the laser safety have been checked. by an authorized person and found to comply with the standards.

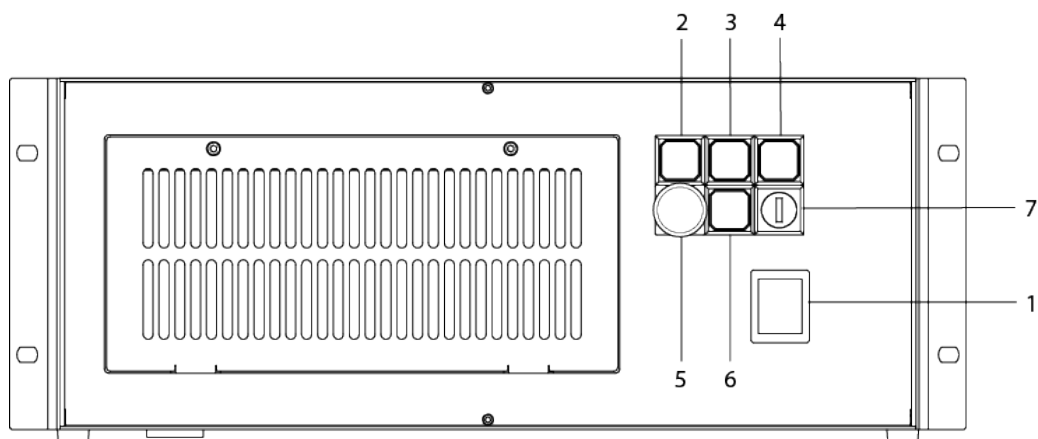
#### 7.2 Marking software

The marking software is included on an accompanying data medium.

For information on using the software, please read the accompanying software manual.

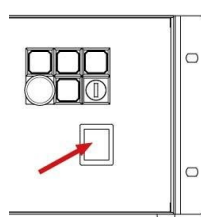
#### 7.3 Control panel

### **LASER RACK**



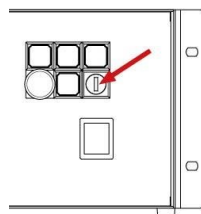
Number	Description	Types
1	Main switch	toggle switch
2	System ready	control lamp
3	Shutter	control lamp
4	Laser busy	control lamp
5	Emergency stop button	switch
6	Error reset	button
7	Key switch	switch

## 7.4 Power On/Off

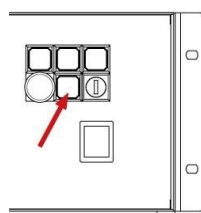


1. Press the main switch (1) on the laser rack.

→ The shutter is closed. The main switch and the two status lamps on the marking head illuminate in yellow.



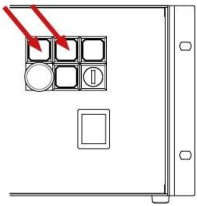
2. Put the key in the key switch (7) (vertically) and turn 90° to the right.



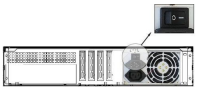
3. Press the Error reset button (6) to reset the system to its normal state.

## Operation

---



4. The control lamps "System ready" (2) and "Shutter" (3) such as the status lamps on the marking head should now be illuminated. The laser is ready to start marking.



5. Start the PC.

6. Now start the marking software on the PC.

If an error occurs, the control lamp "Error reset" (6) lights up. By pressing this button, the error can be acknowledged and the system is ready to work again.

You can use only the key switch (7) to pause the laser.

The main switch (1) must be set to 0 to switch off the laser completely.

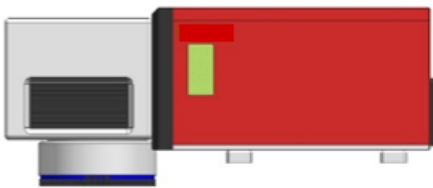
### 7.5 Emission indicator

The laser system is equipped with an emission indicator.

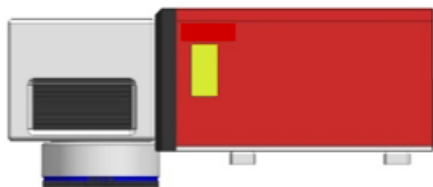
This is indicated by a separate display on the marking head and/or by a luminous control lamp (shutter) on the laser rack.

#### MEANING OF THE SIGNAL COLORS

---

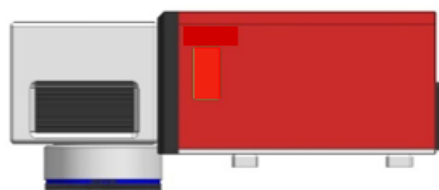


**Emission indicator off** - Device de-energised.



**Emission indicator status yellow** - shutter is closed, no laser power output.

---



**Emission indicator status red** - shutter is open, output of laser power possible.



**Warning Laser**

If the device is switched on or the safety shutter is open there is a danger of laser radiation.

- Pay attention to the emission display.
- Do not open laser marking head.

7.6 Focusing

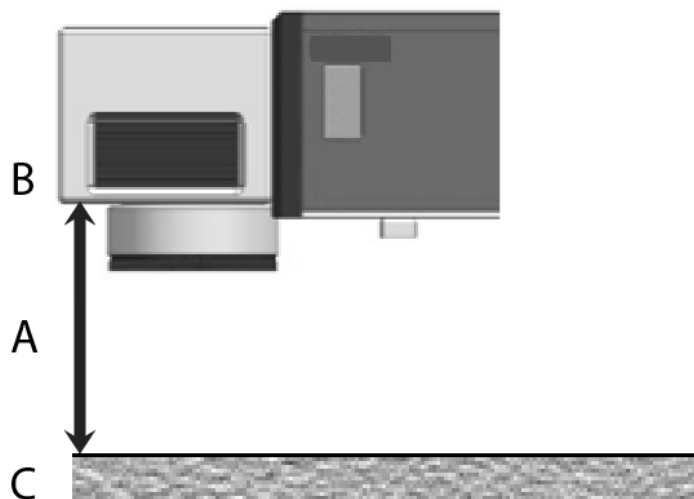


**Notice**

It is absolutely essential to maintain the correct focal distance for every laser marking process. Only when in focus will the laser beam achieve the power density necessary for permanent and clearly legible marking.

Prior to any marking it is therefore necessary to set the correct focal distance between the marking head and the workpiece. An incorrect focal distance is the most common cause of poor or even indistinguishable markings.

The focal distance **(A)** is measured between the lower edge of the working galvo head **(B)** and the upper surface of the workpiece **(C)**. The correct focal distance depends on the lens used (focal length).



**CR**

Focal length	Working distance (A)
F = 100	154,0 mm
F = 160	215,0 mm

## Operation

---

Focal length	Working distance (A)
F = 210	271,5 mm
F = 254	322,0 mm
F = 330	391,5 mm
F = 420	501,5 mm

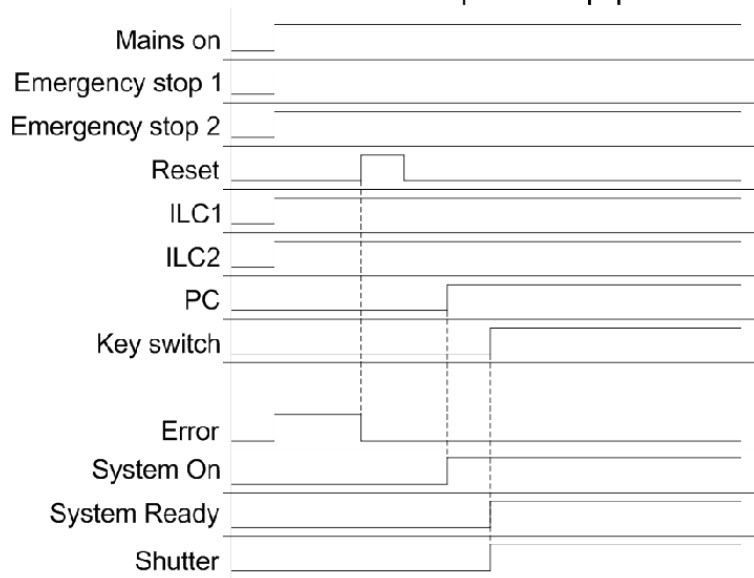


## 8 Ingetration / Connection

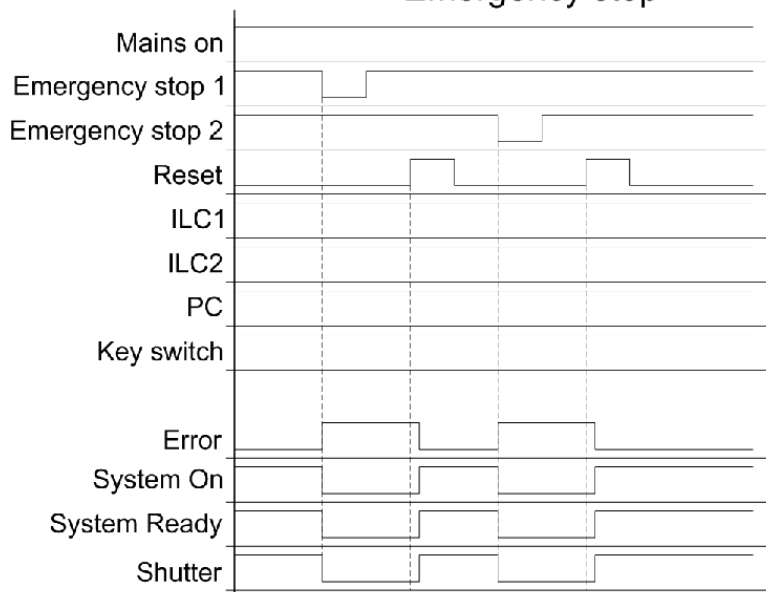
### 8.1 Switching sequences

Switching sequence diagrams are provided for various standard processes which indicate the interplay of the individual signals.

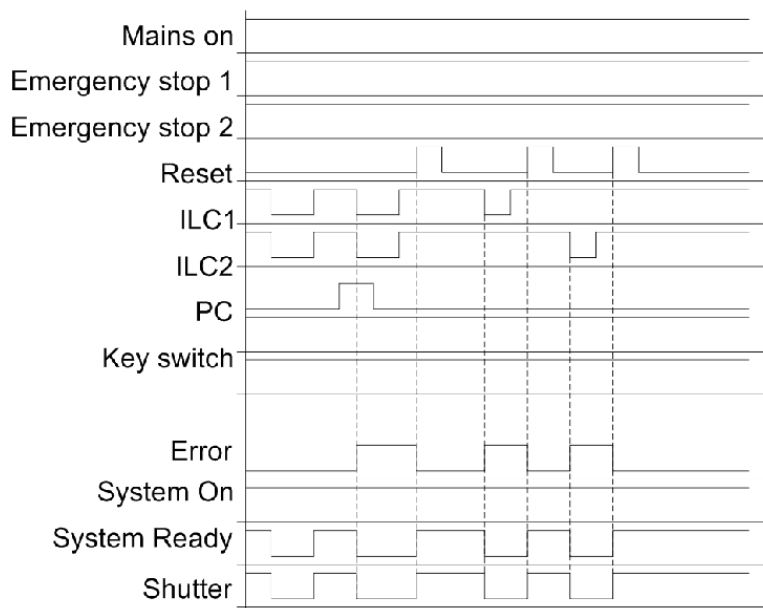
**Standard power-up process**



**Emergency stop**



### ICL (interlock circuit loop)



## 9 Maintenance

### 9.1 Safety notes



#### Caution

Before any maintenance work takes place, ensure that the power supply has been switched off and the system is de-energised.



#### Notice

All maintenance work must be carried out according to the safety regulations.

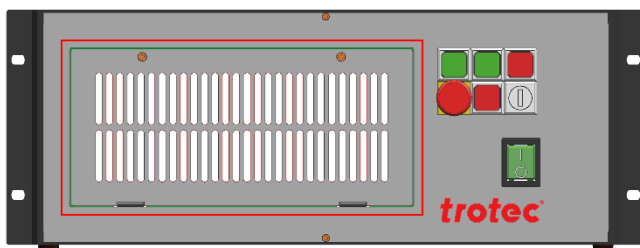
In order to ensure the maximum availability and lifetime of the system, we recommend you regularly check the filter system and ventilation and keep the surrounding area clean. Before switching on the system, make a visual inspection of the lenses.

### 9.2 Changing of the laser source filter mat

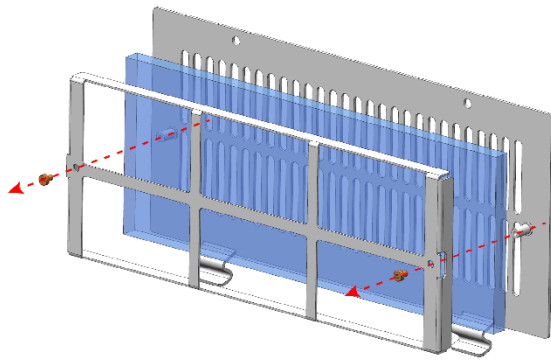
This laser system is equipped with air cooling. A filter mat is used to protect the electronic components from dust and impurities in the ambient air. This filter mat should be checked and replaced at regular intervals to ensure an optimal cooling situation.

The filter pad is located behind the ventilation slots on the front of the laser rack or on the Pc.

Filter pad on the laser rack:



1. Cover of the filter pad.



2. Remove both screws and open the cover. Change the filter pad.

### 9.3 Cleaning the optics

This system is fitted with high quality optical components, which under normal operating conditions are maintenance free for their lifetime. However, it may be necessary to clean output lenses, e.g. the scanner flat field lens (f-theta objective) if it becomes covered in dust or fumes.



#### Notice

Never touch the optical components with your fingers! Oily or dirty hands may damage the lens surfaces.

Do not use any tools or hard objects to clean the surfaces. Scratches cannot be repaired.

Laser optics are highly sensitive and their surfaces are not as hard as traditional glass. They can also be easily damaged by cleaning. It is therefore necessary to ensure that any dirt is removed using a suitable suction device and that the surrounding area is cleaned regularly.

Small bellows should be used to remove dust.



#### Notice

Do not use compressed air as it contains small quantities of oil and water.

To remove larger pieces of dirt, only use a lens cleaning cloth with high proof (at least 98%) alcohol.



#### Notice

Do not dip the cleaning cloth in the cleaning solution. This contaminates the solution and makes it unusable. Place drops of the solution on the cloth!

Apply the cleaning solution carefully in order to avoid scratching the surface of the lens.

Do not wipe the lens with a dry cloth. Do not touch the reverse side of the cloth. Dirt and sebum on the fingers can be transferred to the lens by the cloth and cause damage.

Distribute the cleaning fluid carefully using small circular motions. Start at the center of the lens and move outwards to the edge. Keep moving the cloth until the entire surface is clean.

Do not exert any pressure on the lens.

## 10 Troubleshooting

This chapter should assist maintenance personnel with the identification and resolution of operational faults based on error messages and symptoms.



### Danger

Maintenance and repair work should only be carried out by Trotec Laser GmbH or one of its authorized personnel under observation of the safety regulations.

### 10.1 Error, cause and remedy

Problem	Possible cause	Remedy
<b>Error message on loading the program.</b>	Plug or cable installed incorrectly.	Check the plug and cable are installed correctly.
	Laser power supply switched off.	Turn on main switch.
	Software not installed correctly.	Re-install software.
	Software terminated irregularly.	Restart computer.
<b>Laser will not switch on.</b>	Plug or cable installed incorrectly.	Check the plug and cable are installed correctly.
	Laser power supply switched off.	Turn on main switch.
	Faulty fuse in laser power supply.	Replace fuse.
<b>Status lamps on marking head remain yellow.</b>	safety circuit not closed.	Check safety circuit If no safety circuit is connected, use bridging connector X11.
<b>No impact from the laser beam on the material.</b>	Laser not in focus.	Check working distance.
	Shutter closed.	Open shutter - if not possible check safety circuit.
	Incorrect laser parameters.	Check the parameters in the program. Use suitable parameters for the material and application.
<b>Insufficient laser output.</b>	Laser not in focus.	Check working distance.
	Incorrect laser parameters.	Check the parameters in the program. Use suitable parameters for the material and application.
<b>Missing symbols.</b>	Focusing lens dirty.	Clean focusing lens.
	Surface of the material dirty.	Clean material surface.
<b>Other faults.</b>		Contact Technical Support.

### 10.2 Possible error messages

Below is a list of possible errors which may be detected by the system. These will appear in the software as messages on the display.

The Reset signal (X11) or the reset button on the laser rack are used to acknowledge an error. In order for the system to be reset, the error or the corresponding input signal must be acknowledged.



#### Warning

System errors which cannot be reset or which indicate a hardware error should only be resolved by Trotec Laser GmbH trained service personnel.

Error message	Cause
Card off line.	Software has lost connection to the TLC2 controller
Scanner not connected.	No connection to the galvanometer scanner.
Scanner X error.	The X-axis of the galvanometer scanner has identified an error.
Scanner Y error.	The Y-axis of the galvanometer scanner has identified an error.
Signal cable not connected.	No connection to the marking head.
External abort.	External abort signal identified on X11.
External stop.	External stop signal identified on X11.
Voltage error (15V).	+/- 15V power supply not functioning correctly.
Voltage error (24V).	24V power supply not functioning correctly.
Laser power supply error.	Faulty laser source power supply.
Shutter error.	Shutter has not reached intended position.
Cover connector opened during marking.	ICL1 and ICL2 were opened during the marking process .
External sum alarm.	External error signal identified on X11.
System locked by key switch.	Key switch on laser rack locked.
Laser temperature.	Laser source overheated.
Laser power.	24 V power supply outside the permissible tolerance zone.
Laser not ready for emission.	e.g. key switch not activated.
Laser back reflection.	Back reflection of the laser beam.
Laser system error.	Laser power supply voltage is too high or too low.
Emergency stop button.	Emergency stop button activated.
Error.	+/-15V monitoring.
	24V laser monitoring.
	24V monitoring.
	Shutter temperature.

Error message	Cause
	Required shutter position.

### 11 Contact details

#### **TECHNICAL SUPPORT**

In case of questions, contact our experienced Technical Support in your local area.

For global service contact numbers and further information please see our website, section "Support":

**[www.troteclaser.com](http://www.troteclaser.com)**

When calling, please make sure that the machine is in your immediate vicinity, and that you have the following information ready (see response form):

- At which working process did the problem occur?
- What you have done so far to correct the problem.
- Serial no (see type plate).
- Error code.

#### **LOCAL OFFICES / SALES**

Our store locator and detailed information on our offices in your area can be found on our website in section "Contact", "Local Office": **[www.troteclaser.com](http://www.troteclaser.com)**

#### **TECHNICAL DOCUMENTATION**

For feedback or to suggest changes to this manual, contact:

Technical documentation: +43 (0) 7242 239 - 7000

E-Mail: **[technical.documentation@troteclaser.com](mailto:technical.documentation@troteclaser.com)**



## 12 Disassembly



### Warning

#### Danger of injury when disassembling the machine.

There is danger of injury when disassembling the machine.

Always wear suitable protective clothing (e.g. safety goggles, safety shoes, safety gloves).



### Warning Dangerous electrical voltage

#### Electric current.

The machine must be disconnected from the main power supply.



### Notice

- Always use suitable tools to disassemble the machine.
- Mind the springs.
- Follow chapter "Disposal".

### PROCESS:

1. Remove all workpieces from the system.
2. Turn the key switch to switch off the machine.
3. Switch off the main switch at the back of the machine.
4. Remove the exhaust system.
5. Disconnect all cables at the back of the machine.

### 13 Disposal



#### **Disposal**

##### **Do not dispose of the machine with domestic waste!**

Electronic devices have to be disposed of according to the regional directives on electronic and electric waste disposal.

In case of further questions, please ask your supplier.

In case of disassembly, use suitable tools to dismantle the unit into individual parts. Sort the individual parts and have them disposed of professionally. Legal regulations must be adhered to.

14 Appendix

# EC-Declaration of Incorporation

According to Machine Directive 2006/42/EC, Annex II 1. B

# trotec

## Manufacturer:

Trotec Laser GmbH  
Freilinger Straße 99  
4614 Marchtrenk  
Austria

## Authorized person to compile the technical files:

Trotec Laser GmbH  
Freilinger Straße 99  
4614 Marchtrenk  
Austria

## Description and Identification of the machine:

Product description	Laser engraving system
Model name	SpeedMarker 50 , SpeedMarker 50 DS
Serial number	S50#-#### , D50#-####
Machine group	8019
Function	System for laser engraving

## It is declared expressly that the machine fulfills all of the following applicable EC directives and regulations:

2006/42/EC	EC Machine Directive 2006/42/EC
2014/30/EU	Directive 2014/30/EU Electromagnetic Compatibility

## Reference to the harmonized standards in accordance with article 7 (2):

ISO 11553-1:2020	Safety of machinery – Laser processing machines Part 1: General safety requirements
ISO 12100:2010	Safety of machinery – General principles for design - Risk assessment and risk reduction
ISO 13849-1:2018	Safety of machinery – Safety related parts of control systems Part 1: General principles for design
IEC 60204-1:2018	Safety of machinery – Electrical equipment of machines Part 1: General requirements
IEC 60825-1:2022	Safety of laser products - Part 1: Equipment classification and requirements
IEC 61000-6-2:2019	Electromagnetic compatibility - Part 6-2: Immunity standard for industrial environments

The specific technical documentation has been prepared in accordance with MRL 2006/42/EC Annex VII Part B and will be submitted electronically to a reasoned request by national authorities.

The industrial property rights remain unaffected!

**Important notice! The partly complete machinery must not be put into service until the machinery into which it is to be incorporated complies with the provisions of the EC Machinery Directive Appendix II 1A.**

Marchtrenk, 08 January 2023

City, Date

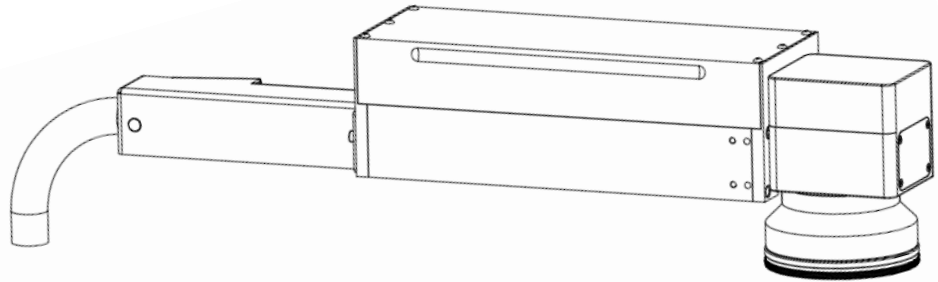
# trotec

Trotec Laser GmbH  
Freilinger Straße 99, A-4614 Marchtrenk  
T +43 7242 239-0  
[www.troteclaser.com](http://www.troteclaser.com)

pp. Hagen Strasser  
Head of Research and Development

**SpeedMarker 50 with Dynamic Shifter**  
**Datasheet and Technical Specifications**

**trotec**  
laser. marking cutting engraving



**[www.troteclaser.com](http://www.troteclaser.com)**

**[www.trotec-materials.com](http://www.trotec-materials.com)**

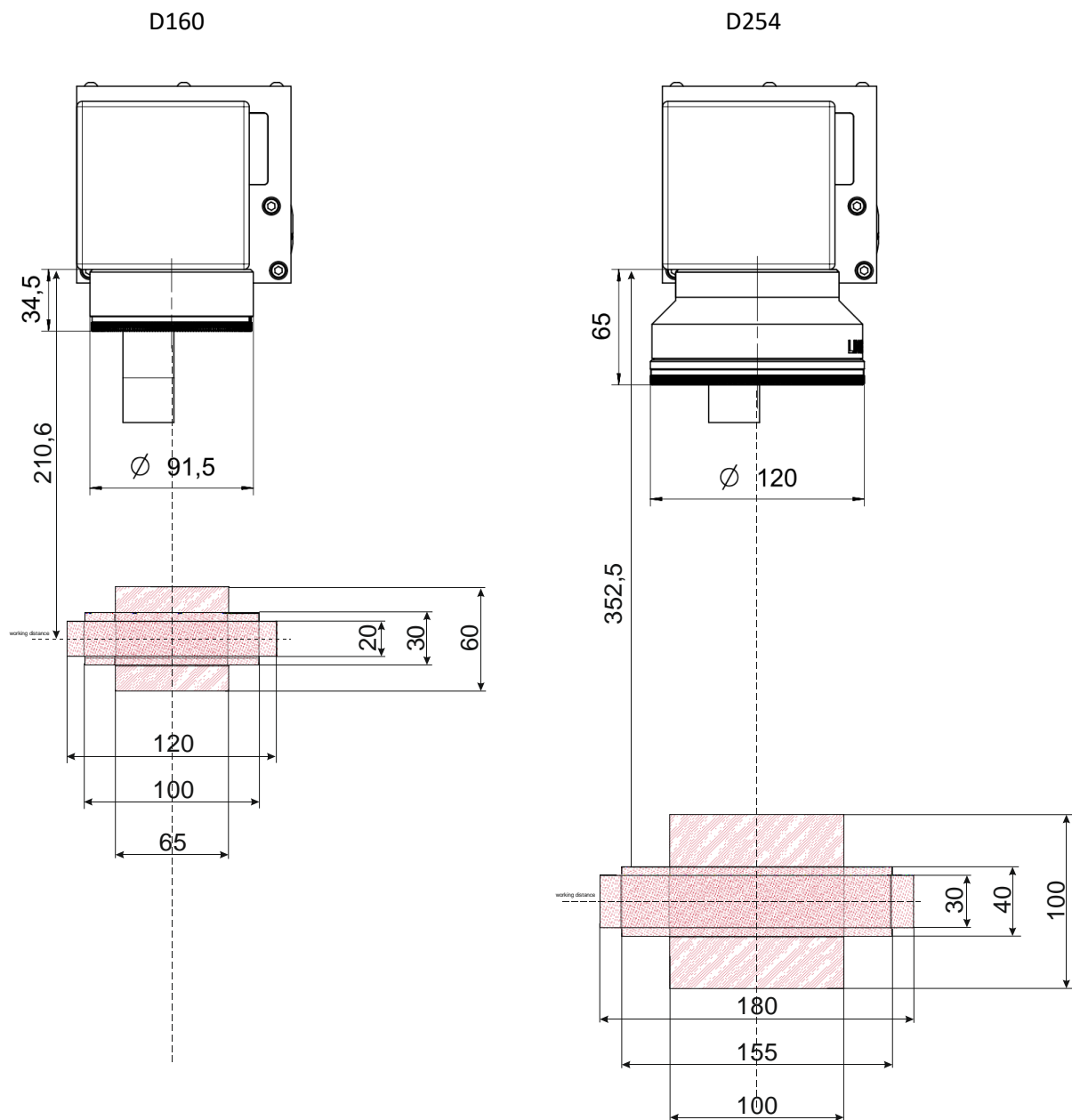
# SpeedMarker 50 with Dynamic Shifter

## Technical Data Sheet



Technical Data SpeedMarker 50 Fiber (8019) with Dynamic Shifter				
Laser Head	SM 0050 02M D160	SM 0050 02M D254	SM 0050 10M D160	SM 0050 10M D254
Norm	CDRH Lasersafety; Laserclass 4 with EC- Declaration of Incorporation According to Machine Directive 2006/42/EC, Annex II 1. B			
Software	Speedmark; Directmark Printerdriver			
Supported mono fonts	ISOCT, RomanS,SOKOL			
Supported fonts	all installed TrueTypeFonts			
Supported 1D barcodes	Australian Post; Codebar; Code 11; Code 128; Code 39; Code 93; DAFT; Deutsche Post; DPD; EAN-13; EAN-14; EAN-8; GS1; HIBC; ISBN; GS1; Pharmacode			
Supported 2D codes	Datamatrix; QR-Code; Aztec; Codeblock-F; GS1 Databar; HIBC; Maxi Code; PDF 417			
Supported image formats	BMP; JPG; DXF; PDF; EPS; PS; TSF; DWG;			
Laser source	Pulsed Yb-fiberlaser			
Beam quality	$M^2 < 2$			
Power stability	better $\pm 5\%$			
Maximum pulse energy	1 mJ			
Maximum laser power	20W			100W
Wavelength (nm)	1064			
Pulse frequency (kHz)	1,6-1000		10-1000	
Pulse length(ns)	1,5;2,5;4;8;16;30; 50;120;200;350		20;30;60;120	
Focus and pilot laser	Diode laser $\lambda = 650\text{nm}$ , Laser class 2; 1mW			
Cooling	passiv air cooled			
Cable length to rack	~ 2,5m			
Protection level	IP20			
Weight without lense	~ 8,2kg			
Mounting position	horizontal			
Workingvolume "area" XxYxZ(mm)	120x120x20	180x180x30	120x120x20	180x180x30
Workingvolume "standard" XxYxZ(mm)	100x100x30	155x155x40	100x100x30	155x155x40
Workingvolume "clearance" XxYxZ(mm)	65x65x60	100x100x100	65x65x60	100x100x100
Working distance (mm)	210,1	352,5	210,1	352,5
Spotdiameter at working distance(mm)	0,045	0,068	0,045	0,068
Marking resolution (mm)	0,002	0,003	0,002	0,003
Max. marking speed (m/sec)	6	9,5	6	9,5
Max. positioning speed (m/sec)	12	19	12	19
<b>Laser Rack</b>				
Interfaces	Ethernet, RS232, Laser-Interlock, Marking-Start (24 VDC), Marking-Stop (24 VDC),E-Stop, Error-Reset, Laser-Busy, optional digital I/O's (24 VDC),			
Weight	20kg	20kg	20kg	20kg
Dimensions LxBxH	449x559x177			
Power supply	115 - 230V AC, 50/60Hz, 1/N/PE			
Maximum power consumption	Max. 500W			
Cooling	active air cooled			
Protection level	IP 20			
Mini. required exhaust	Atmos Nano			
<b>Laser Controller IPC</b>				
Weight	9 KG			
Dimensions LxBxH	428x400x88.5			
Power supply	115 - 230V AC, 50/60Hz, 1/N/PE			
Maximum power consumption	Max. 500W			
Cooling	active air cooled			
Protection level	IP 20			
<b>Ambient conditions</b>				
Operation	Temperature range +15 to +35° C; Relative humidity max. 60%. Non-condensing			
Storage	Temperature range +0 to +30° C; Relative humidity max. 60%. Non-condensing			
Transport	Temperature range -10 to +40° C; Relative humidity max. 70%. Non-condensing			

**Working Volume**

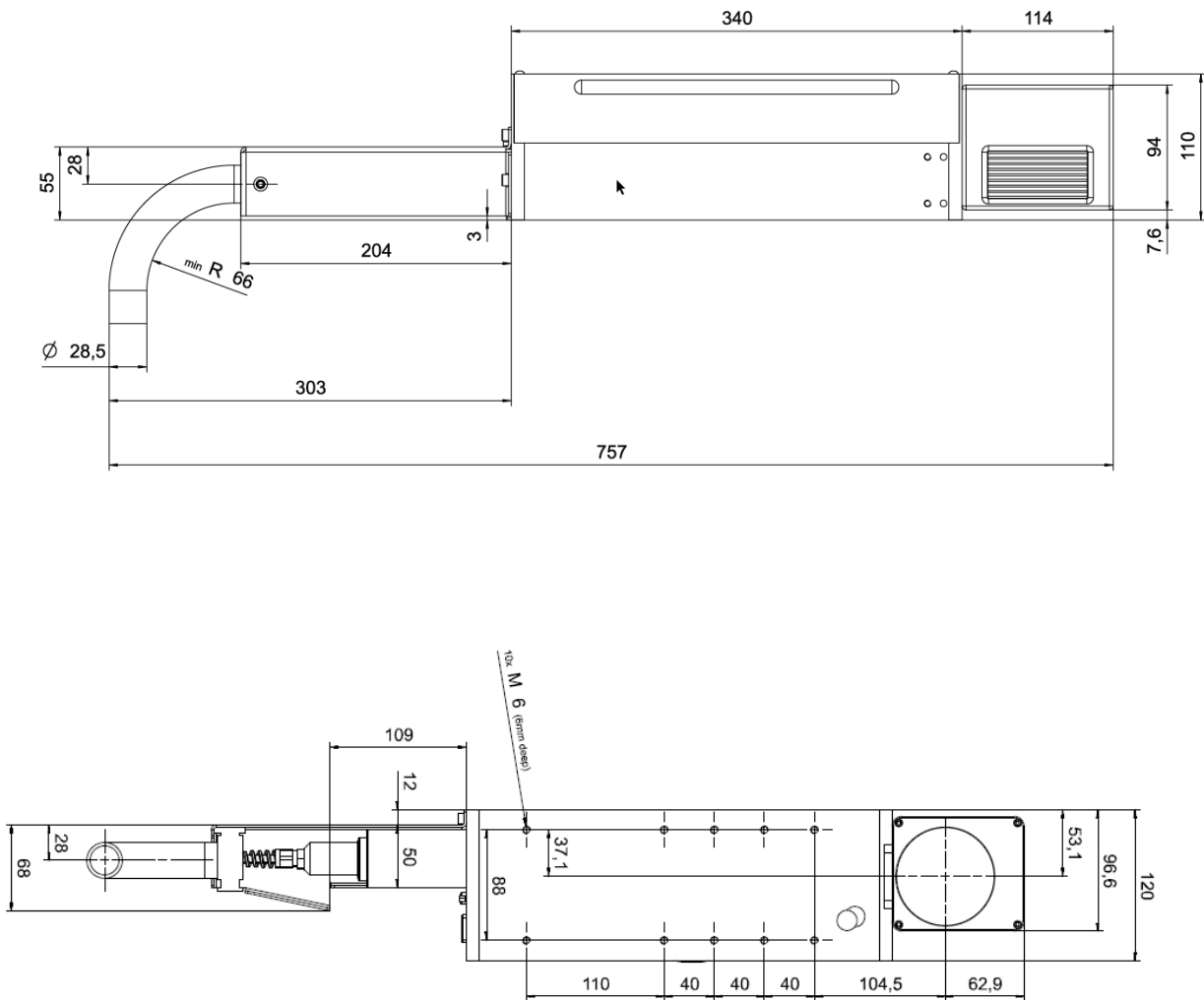


# SpeedMarker 50 with Dynamic Shifter

## Technical Data Sheet



### Laser Marking Head



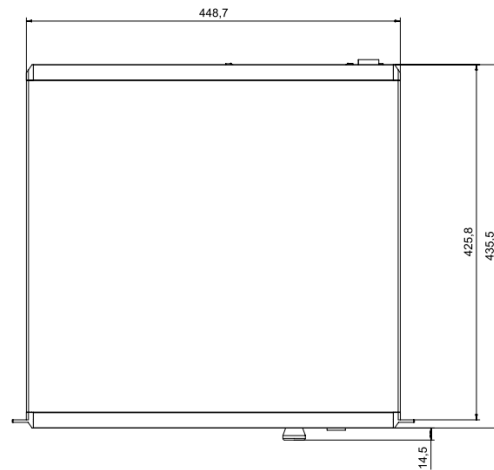
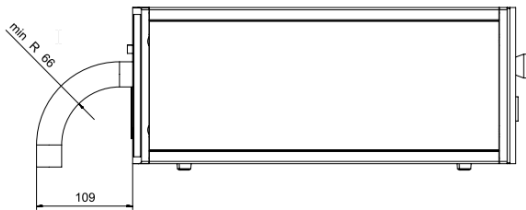
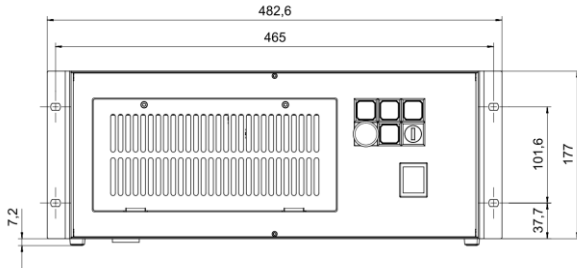


# SpeedMarker 50 with Dynamic Shifter

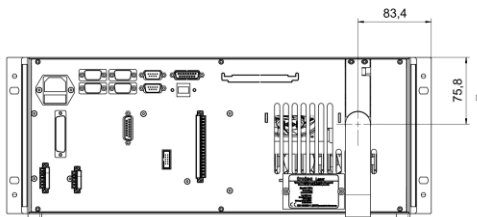
## Technical Data Sheet



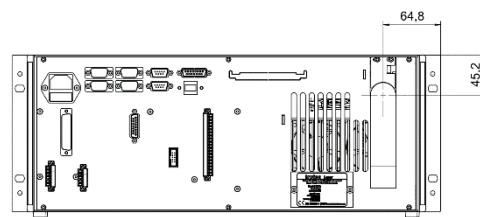
### Laser Rack



View 20-50 Watt



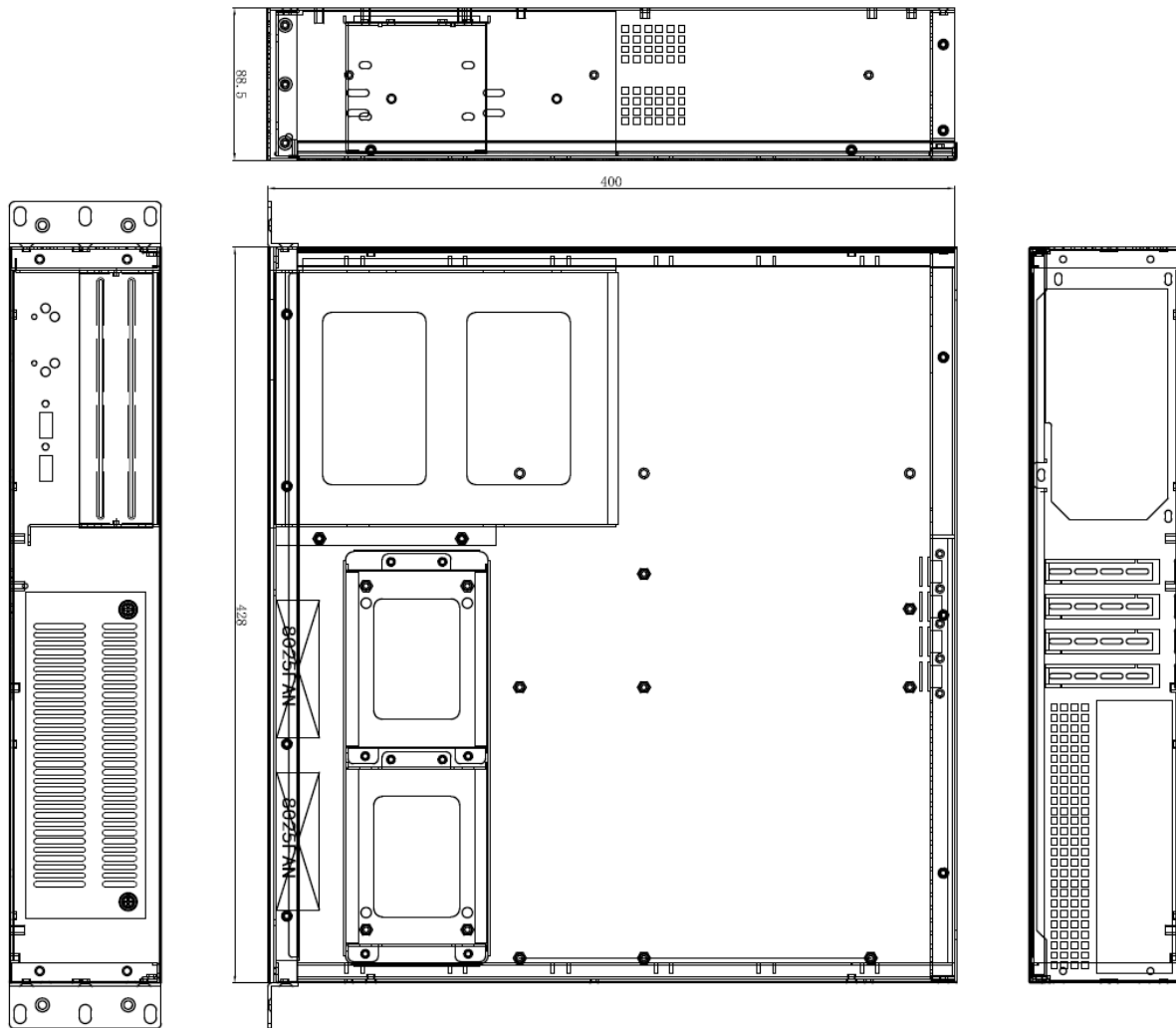
View 100 Watt



# SpeedMarker 50 with Dynamic Shifter

## Technical Data Sheet

### Laser Controller IPC



## SpeedMarker 050 (8019)



### System specification

Norm	CDRH Lasersafety Laserclass 4 with EC- Declaration of Incorporation according to Machine Directive 2006/42/EC, Annex II 1. B
Software	Speedmark; Directmark Printerdriver
Supported mono fonts	ISOCT, RomanS,SOKOL
Supported fonts	all installed TrueTypeFonts
Supported 1D barcodes	Australian Post; Codebar; Code 11; Code 128; Code 39; Code 93; DAFT; Deutsche Post; DPD; EAN-13; EAN-14; EAN-8; GS1; HIBC; ISBN; GS1; Pharmacode
Supported 2D codes	Datamatrix; QR-Code; Aztec; Codeblock-F; GS1 Databar; HIBC; Maxi Code; PDF 417
Supported image formats	BMP; JPG; DXF; PDF; EPS; PS; TSF; DWG
Laser source	Pulsed Yb-fiberlaser
Power stability	better $\pm 5\%$
Wavelength	1.064 nm
Focus and pilot laser	Diode laser $\lambda = 655\text{nm}$ , Laser class 2; 1mW
Cooling	passiv air cooled
Cable length to rack	~ 2,5m
Protection level	IP 54
Dimensions LxBxH (mm)	651 x 160 x 120
Weight including lense	~ 8,5kg

### Laser Rack

Interfaces	Ethernet, RS232, Laser-Interlock, Marking-Start (24 VDC), Marking-Stop (24 VDC), E-Stop, Error-Reset, Laser-Busy, assignable digital I/O's (4/4;24 VDC),
Weight	20kg (100W 25 kg)
Dimensions LxBxH (mm)	449x619x177
Power supply	115 - 230V AC, 50/60Hz, 1/N/PE
Maximum power consumption	Max. 500W
Cooling	active fan cooled
Protection level	IP 20
Mini. required exhaust	Atmos Nano

### Laser Controller IPC

Weight	9 KG
Dimensions LxBxH (mm)	428x400x88.5
Power supply	115 - 230V AC, 50/60Hz, 1/N/PE
Maximum power consumption	Max. 500W
Cooling	active fan cooled
Protection level	IP 20

### Ambient conditions

Operation	Temperature range +15 to +35° C; Relative humidity max. 60 %. Non-condensing
Storage	Temperature range +0 to +30° C; Relative humidity max. 60 %. Non-condensing
Transport	Temperature range -10 to +40° C; Relative humidity max. 70 %. Non-condensing

Lens	F100	F160	F210	F254	F330	F420
Marking field XxY(mm)	70x70	120x120	150x150	190x190	240x240	310x310
Working distance (mm)	154.0	215.0	271.5	322.0	391.5	501.5
Spotdiameter @ working dist.(mm)	0.027	0.045	0.059	0.068	0.088	0.112
Marking resolution (mm)	0.001	0.002	0.002	0.003	0.004	0.005
Max. marking speed (m/sec)	7	12	12	12	12	12

## SM 0050 02N

Laser type	Fiber
Maximum laser power	20W
Maximum pulse energy [mJ]	0.8
Pulse frequency (kHz)	1-600
Pulse length(ns)	200
Beam quality	$M^2 < 1.5$

## SM 0050 02N

Laser type	MOPA
Maximum laser power	20W
Maximum pulse energy [mJ]	0.8
Pulse frequency (kHz)	1-4000
Pulse length(ns)	2-500
Beam quality	$M^2 < 1.4$

Pulse width [ns]	Pulse Energy [ $\mu$ J]	Pulse Frequency [kHz]	Max Frequency [kHz]
2	24	850	4000
4	40	500	4000
6	63	320	4000
9	80	250	4000
13	118	170	3000
20	174	115	3000
30	222	90	3000
45	267	75	2000
60	308	65	2000
80	333	60	2000
100	364	55	1000
150	667	30	1000
200	800	25	1000
250	800	25	900
350	800	25	600

## SM 0050 03G

Laser type	Fiber
Maximum laser power	30W
Maximum pulse energy [mJ]	0.8
Pulse frequency (kHz)	1-600
Pulse length(ns)	200
Beam quality	$M^2 < 1.8$

## SM 0050 05G

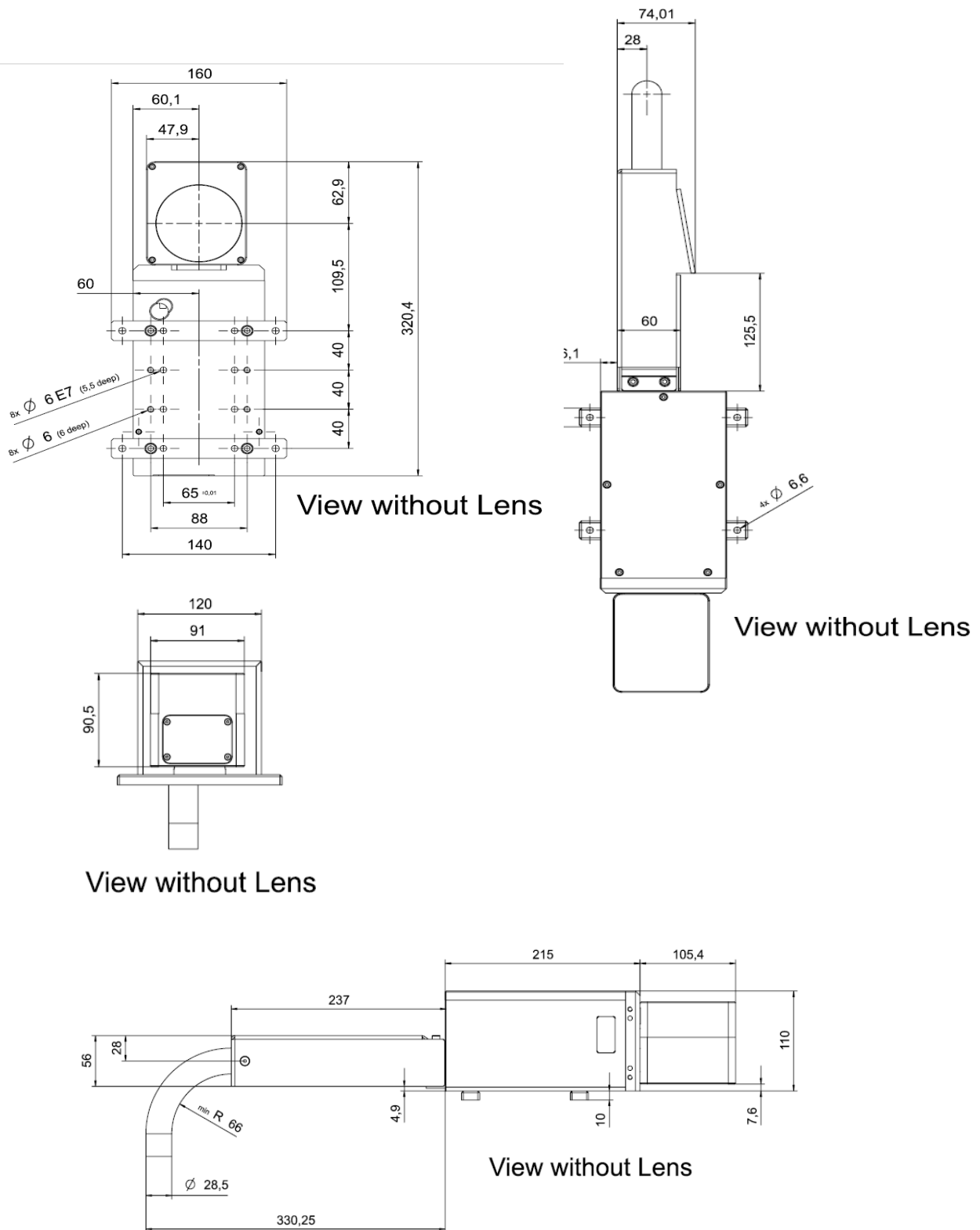
Laser type	Fiber
Maximum laser power	50W
Maximum pulse energy [mJ]	1.25
Pulse frequency (kHz)	2-200
Pulse length(ns)	200
Beam quality	$M^2 < 1.4$

## SM 0050 10N

Laser type	MOPA
Maximum laser power	100W
Maximum pulse energy [mJ]	1.5
Pulse frequency (kHz)	1-4000
Pulse length(ns)	2-500
Beam quality	$M^2 < 1.6$

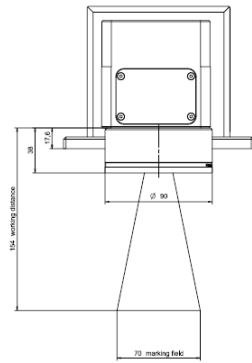
Pulse width [ns]	Pulse Energy [ $\mu$ J]	Pulse Frequency [kHz]	Max Frequency [kHz]
2	34	2960	4000
4	46	2160	4000
6	71	1400	4000
9	104	960	4000
13	147	680	3000
20	238	420	3000
30	333	300	3000
45	400	250	2000
60	500	200	2000
80	556	180	2000
100	625	160	1000
150	1053	95	1000
200	1333	75	1000
250	1429	70	900
350	1493	67	600
500	1493	67	500

## SpeedMarker 50 - laser marking head (without lens)

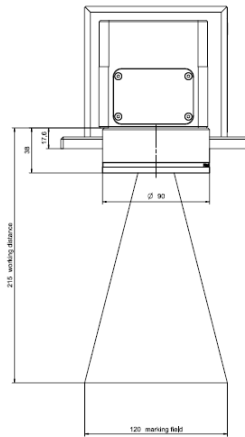


## Laser marking head with lens configuration

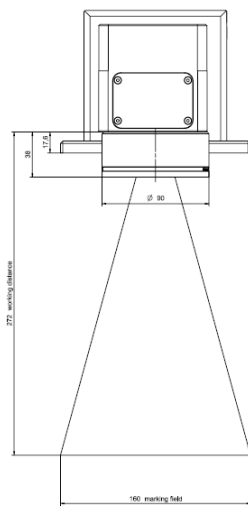
F=100



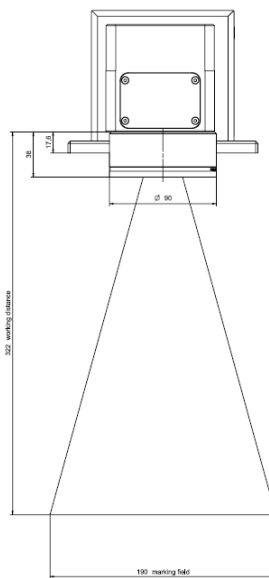
F=160



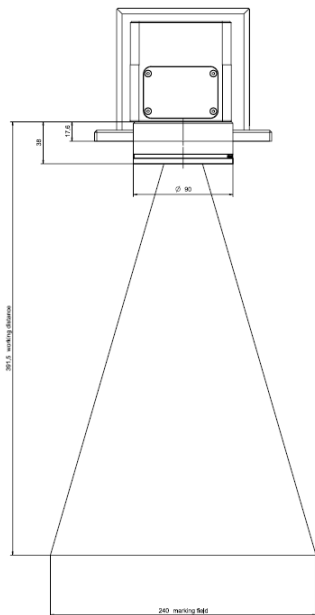
F=210



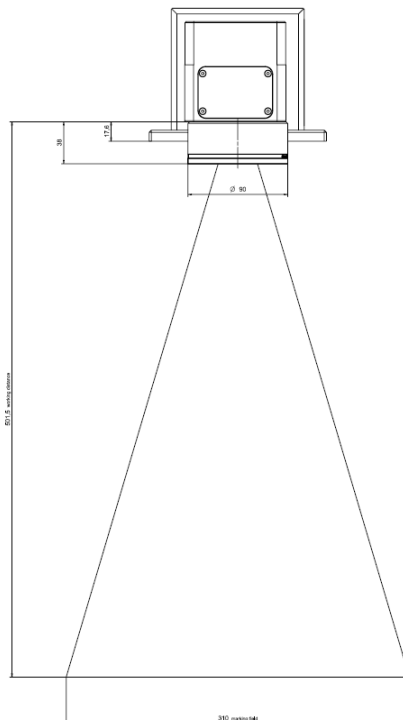
F=254



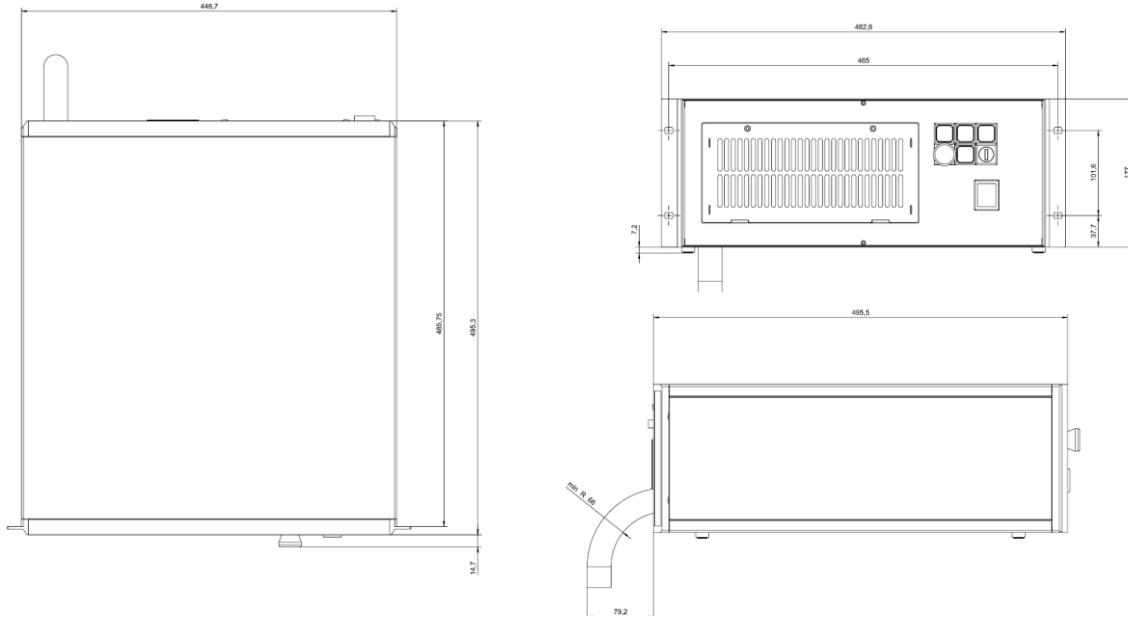
F=330



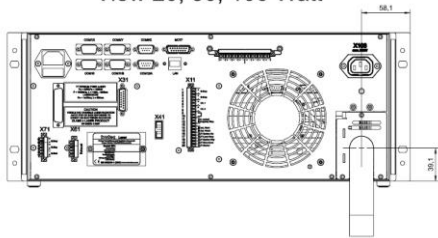
F=420



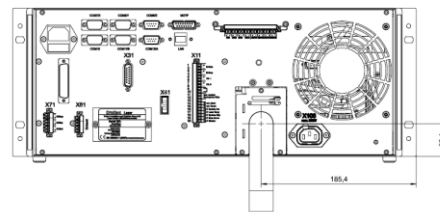
## Laser Rack



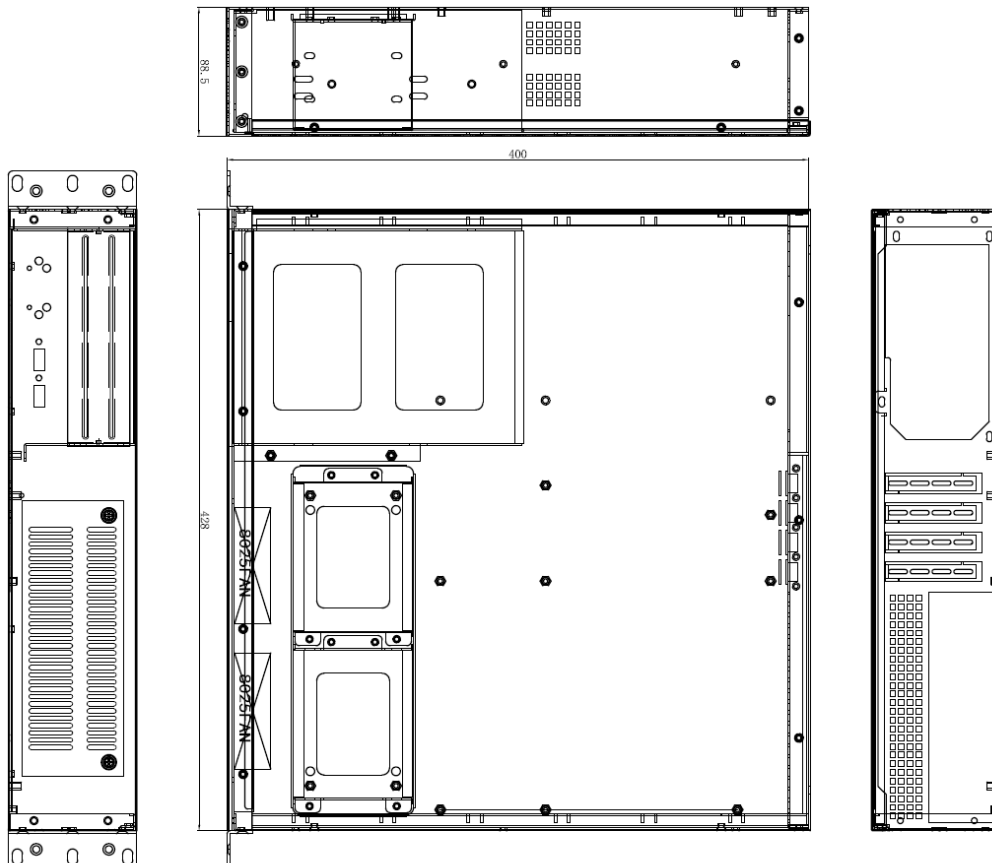
View 20, 30, 100 Watt



View 50 Watt



## Laser Controller IPC



v2.0 04/04/2023